



INSTALLATION INSTRUCTIONS

COMMERCIAL DRYER GAS OR ELECTRIC

MODELS MDG18CSAW/MNAW/PDAW/PDAX/PRAW
MDE18MNAY/MNAZ/CSAY/CSAZ/PDAY/PDAZ/PRAY/PRAZ

INSTRUCTIONS D'INSTALLATION

SÉCHEUSE À USAGE COMMERCIAL À GAZ OU ÉLECTRIQUE

MODÈLES MDG18CSAW/MNAW/PDAW/PDAX/PRAW
MDE18MNAY/MNAZ/CSAY/CSAZ/PDAY/PDAZ/PRAY/PRAZ

TABLE OF CONTENTS

	Page
Dryer Safety.....	2
Tools & Parts	5
Dimensions/Clearances	6
Gas Dryer Installation Requirements	7
Electric Dryer Installation Requirements	10
Dryer Venting Requirements	13
Gas Supply Connection	15
Installing Leveling Legs, Coin Slide, and Coin Box	17
Electric Dryer Electrical Connections	18
Leveling	22
Complete Installation	23
Reversing Dryer Door Swing	24
Changing to a 30- or 60-Minute Timing Cam	25
Maintenance Instructions	26
If You Need Assistance	26
Electronic Control Setup Instructions	27

TABLE DES MATIÈRES

	Page
Sécurité de la sécheuse.....	32
Outils et pièces	35
Dimensions/Distances de dégagement	36
Exigences d'installation pour la sécheuse à gaz	37
Exigences d'installation pour la sécheuse électrique	40
Exigences concernant l'évacuation de la sécheuse	42
Raccordement à la canalisation de gaz	44
Installation des pieds de nivellement, de la glissière à monnaie et de la caisse à monnaie	46
Nivellement	47
Achever l'installation	48
Inversion du sens d'ouverture de la porte	49
Installation d'une came de minutage de 30 ou 60 minutes	50
Instructions d'entretien	51
Si vous avez besoin d'assistance	51
Instructions de réglage du tableau de commande électronique	52

DRYER SAFETY

Your safety and the safety of others are very important.

We have provided many important safety messages in this manual and on your appliance. Always read and obey all safety messages.



This is the safety alert symbol.

This symbol alerts you to potential hazards that can kill or hurt you and others.

All safety messages will follow the safety alert symbol and either the word “DANGER” or “WARNING.”

These words mean:

⚠ DANGER

You can be killed or seriously injured if you don't immediately follow instructions.

⚠ WARNING

You can be killed or seriously injured if you don't follow instructions.

All safety messages will tell you what the potential hazard is, tell you how to reduce the chance of injury, and tell you what can happen if the instructions are not followed.



WARNING - “Risk of Fire”

- Clothes dryer installation must be performed by a qualified installer.
- Install the clothes dryer according to the manufacturer's instructions and local codes.
- Do not install a clothes dryer with flexible plastic venting materials or flexible metal (foil type) duct. If flexible metal duct is installed, it must be of a specific type identified by the appliance manufacturer as suitable for use with clothes dryers. Flexible venting materials are known to collapse, be easily crushed, and trap lint. These conditions will obstruct clothes dryer airflow and increase the risk of fire.
- To reduce the risk of severe injury or death, follow all installation instructions.
- Save these instructions.

- It is recommended that the owner post, in a prominent location, instructions for the customer's use in the event the customer smells gas. This information should be obtained from your gas supplier.
- Post the following warning in a prominent location.

FOR YOUR SAFETY

Do not store or use gasoline or other flammable vapors and liquids in the vicinity of this or any other appliance.

WARNING: For your safety, the information in this manual must be followed to minimize the risk of fire or explosion, or to prevent property damage, personal injury, or death.

- Do not store or use gasoline or other flammable vapors and liquids in the vicinity of this or any other appliance.
- **WHAT TO DO IF YOU SMELL GAS:**
 - Do not try to light any appliance.
 - Do not touch any electrical switch; do not use any phone in your building.
 - Clear the room, building, or area of all occupants.
 - Immediately call your gas supplier from a neighbor's phone. Follow the gas supplier's instructions.
 - If you cannot reach your gas supplier, call the fire department.
- Installation and service must be performed by a qualified installer, service agency, or the gas supplier.

WARNING: Gas leaks cannot always be detected by smell.

Gas suppliers recommend that you use a gas detector approved by UL or CSA.

For more information, contact your gas supplier.

If a gas leak is detected, follow the "What to do if you smell gas" instructions.

In the State of Massachusetts, the following installation instructions apply:

- Installations and repairs must be performed by a qualified or licensed contractor, plumber, or gasfitter qualified or licensed by the State of Massachusetts.
- If using a ball valve, it shall be a T-handle type.
- A flexible gas connector, when used, must not exceed 3 feet.

IMPORTANT: The gas installation must conform with local codes, or in the absence of local codes, with the National Fuel Gas Code, ANSI Z223.1/NFPA 54 or the Canadian Natural Gas and Propane Installation Code, CSA B149.1.

The dryer must be electrically grounded in accordance with local codes, or in the absence of local codes, with the National Electrical Code, ANSI/NFPA 70 or Canadian Electrical Code, CSA C22.1.

IMPORTANT: When discarding or storing your old clothes dryer, remove the door.

DRYER SAFETY

IMPORTANT SAFETY INSTRUCTIONS

WARNING: To reduce the risk of fire, electric shock, or injury to persons when using the dryer, follow basic precautions, including the following:

- Read all instructions before using the dryer.
- This dryer is intended only for drying clothes and textiles that have been washed in water. Do not use for any other purpose.
- **WARNING:** If you smell gas, do not use the dryer or any electrical equipment nearby. Warn other people to clear the area. Contact the dryer owner immediately.
- Do not place items exposed to cooking oils in your dryer. Items contaminated with cooking oils may contribute to a chemical reaction that could cause a load to catch fire.
- Do not dry articles that have been previously cleaned in, washed in, soaked in, or spotted with gasoline, dry-cleaning solvents, other flammable, or explosive substances as they give off vapors that could ignite or explode.
- Do not dry unwashed items in the dryer.
- Do not allow children to play on or in the dryer. Close supervision of children is necessary when the dryer is used near children.
- Before the dryer is removed from service or discarded, remove the door to the dryer compartment.
- Do not reach into the dryer if the drum is moving.
- Do not open door while dryer is in operation. It will stop.
- Do not install or store the dryer where it will be exposed to the weather.
- Do not tamper with controls.
- Clean dryer lint screen before or after each load.
- Do not use this dryer without the lint screen in place.
- Do not repair or replace any part of the dryer or attempt any servicing unless specifically recommended in this Installation Instructions or in published user-repair instructions that you understand and have the skills to carry out.
- Do not use fabric softeners or products to eliminate static unless recommended by the manufacturer of the fabric softener or product.
- Do not use heat to dry articles containing foam rubber or similarly textured rubber-like materials.
- The final part of a tumble dryer cycle occurs without heat (cool-down cycle) to ensure that the articles are left at a temperature that ensures that the items will not be damaged.
- **WARNING:** Never stop a tumble dryer before the end of the drying cycle unless all items are quickly removed and spread out so that the heat is dissipated. (Avoids risk of spontaneous combustion).
- Keep area around the exhaust opening and adjacent surrounding areas free from the accumulation of lint, dust, and dirt.
- The interior of the dryer and dryer exhaust vent should be cleaned periodically by qualified service personnel.
- See “Electrical Requirements” section for grounding instructions.

SAVE THESE INSTRUCTIONS

TOOLS & PARTS

Tools Needed:



8" (203 mm)
or 10" (254 mm)
Pipe Wrench



8" (203 mm) or 10" (254 mm)
Adjustable Wrench
that opens to 1" (25 mm)



Flat-Blade Screwdriver



Phillips Screwdriver



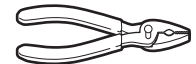
Torx[®]† T-20 Security
Screwdriver or Bit



1" (25 mm) Hex-Head
Socket Wrench



5/16" (8 mm) Socket Wrench



Pliers (that open to
1⁹/₁₆" [39 mm])



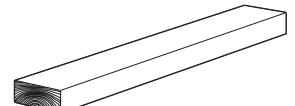
Level



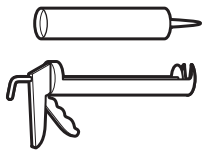
Utility Knife



1/4" (6 mm) Nut Driver



27" (686 mm)
Wood Block



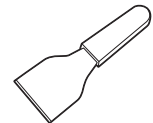
Caulk Gun and Caulk
(for installing new exhaust vent)



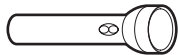
Vent Clamps



Pipe-Joint Compound
Suitable for Gas Type



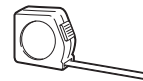
Putty Knife



Flashlight (optional)



1" (25 mm)
Open-End Wrenches

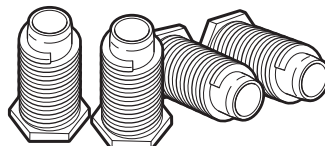


Ruler or Measuring Tape

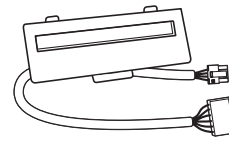
Parts Supplied:



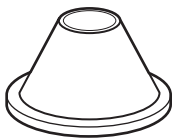
Foot Boots (4)



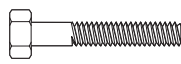
Leveling Legs (4)



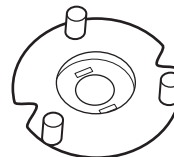
Bezel Kit (PR models only)



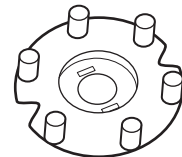
Security Cone
(PD models only)



5/16" Hex Head –
18 x 2¹/₂" Security Bolt
(PD models only)



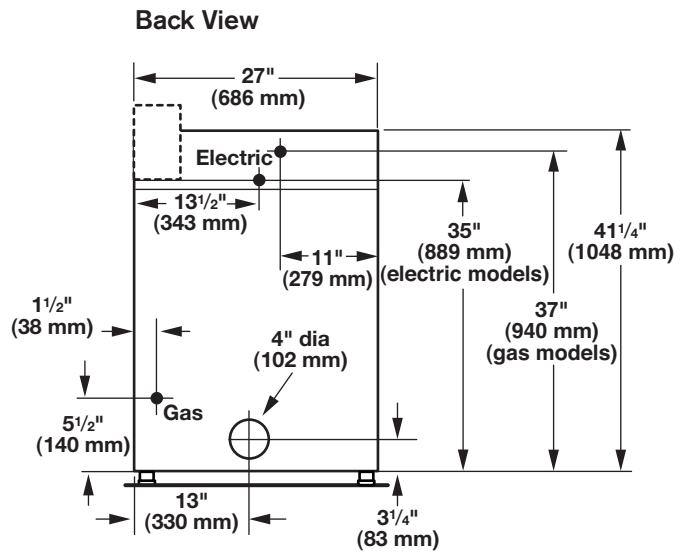
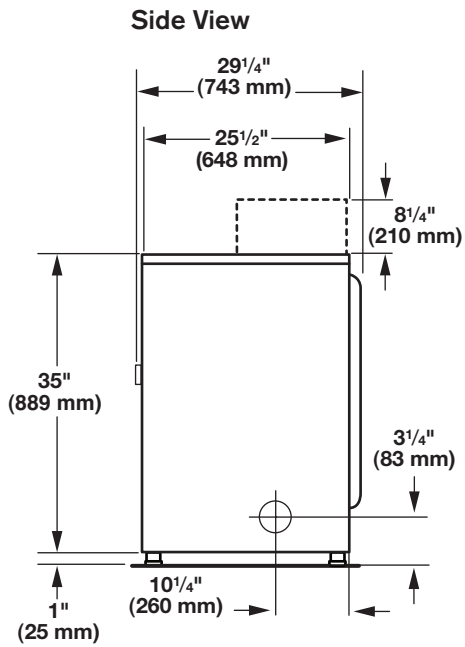
3-Pin 60-Minute Timing Cam
(CS models only)



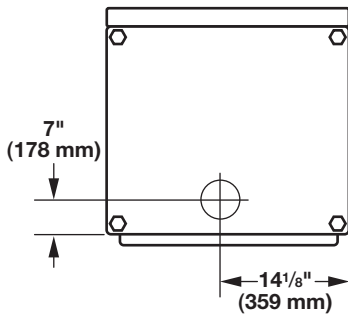
6-Pin 30-Minute Timing Cam
(CS models only)

DIMENSIONS/CLEARANCES

Dimensions

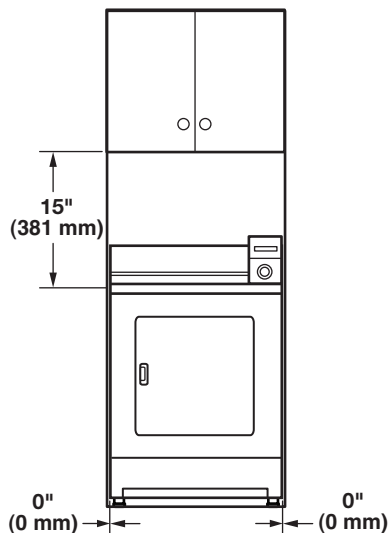


Bottom Exhaust

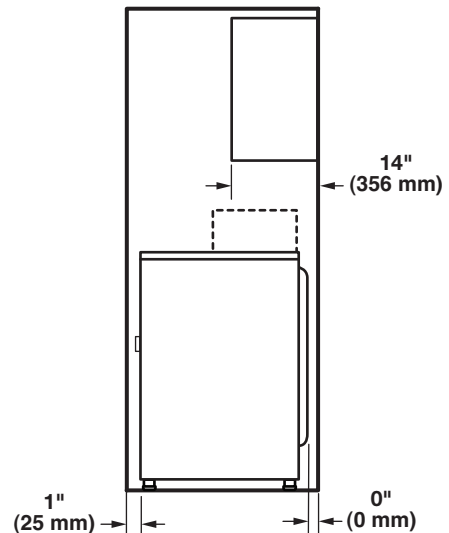


Clearances

Recessed Front View




Closet Side View



GAS DRYER INSTALLATION REQUIREMENTS

Location Requirements

⚠ WARNING



Explosion Hazard
Keep flammable materials and vapors, such as gasoline, away from dryer.
Do not install in a garage.
Failure to do so can result in death, explosion, or fire.

Your dryer can be installed in a basement, laundry room, or recessed area.

Companion appliance location requirements should also be considered.

IMPORTANT: Do not install or store the dryer where it will be exposed to the weather. Proper installation is your responsibility.

You will need:

- A grounded electrical outlet located within 6 ft. (1.8 m) of where the power cord is attached to the back of the dryer. See "Electrical Requirements."
- A level floor with a maximum slope of 1" (25 mm) under entire dryer. Installing the dryer on soft floor surfaces, such as carpets or surfaces with foam backing, is not recommended.

Gas dryer installation clearances

- The location must be large enough to allow the dryer door to be fully opened.
- Additional spacing should be considered for ease of installation and servicing. The door opens more than 180°.
- Additional clearances might be required for wall, door, and floor moldings.
- Additional spacing of 1" (25 mm) on all sides of the dryer is recommended to reduce noise transfer.

When installing a gas dryer:

IMPORTANT: Observe all governing codes and ordinances.

- Check code requirements: Some codes limit or do not permit installation of clothes dryers in garages, closets, or sleeping quarters. Contact your local building inspector.
- Make sure that lower edges of the cabinet, plus the back and bottom sides of the dryer, are free of obstructions to permit adequate clearance of air openings for combustion air. See "Recessed Area and Closet Installation Instructions" below for minimum spacing requirements.

Recessed Area and Closet Installation Instructions

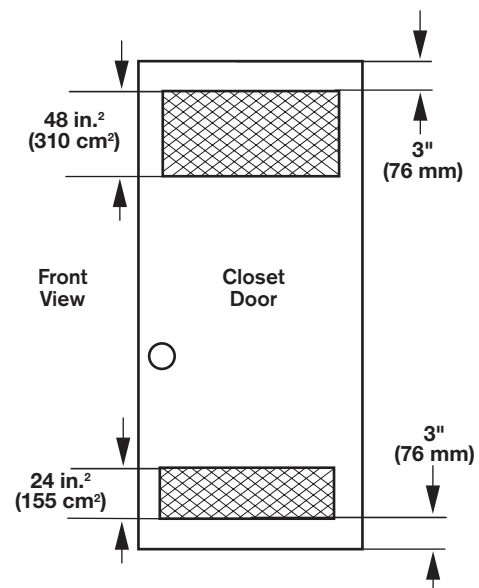
This dryer may be installed in a recessed area or closet. For recessed area and closet installations, minimum clearances can be found on the warning label on the rear of the dryer or in "Dimensions/Clearances."

The installation spacing is in inches and is the minimum allowable. Additional spacing should be considered for ease of installation, servicing, and compliance with local codes and ordinances.

If closet door is installed, the minimum unobstructed air opening in the top and bottom is required. Louvered doors with equivalent air openings are acceptable.

The dryer must be exhausted outdoors.

No other fuel-burning appliance may be installed in the same closet as the dryer.



GAS DRYER INSTALLATION REQUIREMENTS

Electrical Requirements

⚠ WARNING



Electrical Shock Hazard

Plug into a grounded 3 prong outlet.

Do not remove ground prong.

Do not use an adapter.

Do not use an extension cord.

Failure to follow these instructions can result in death, fire, or electrical shock.

IMPORTANT: The dryer must be electrically grounded in accordance with local codes and ordinances or, in the absence of local codes, with the National Electrical Code, ANSI/NFPA 70, latest edition, or Canadian Electrical Code, CSA C22.1. If codes permit and a separate ground wire is used, it is recommended that a qualified electrical installer determine that the ground path is adequate.

A copy of the above code standards can be obtained from:

National Fire Protection Association
One Batterymarch Park, Quincy, MA 02269

CSA International
8501 East Pleasant Valley Road
Cleveland, Ohio 44131-5575

- Do not ground to a gas pipe.
- Do not have a fuse in the neutral or ground circuit.
- A 120 volt, 60 Hz, AC only, 15- or 20-amp, fused electrical circuit is required. A time-delay fuse or circuit breaker is also recommended. It is recommended that a separate circuit serving only this dryer be provided.
- This dryer is equipped with a power supply cord having a 3-prong grounding plug.
- To minimize the possibility of shock, the cord must be plugged into a mating, 3 prong, grounding-type outlet, grounded in accordance with local codes and ordinances. If a mating outlet is not available, it is the personal responsibility and obligation of the customer to have the properly grounded outlet installed by a qualified electrician.
- If codes permit and a separate ground wire is used, it is recommended that a qualified electrician determine that the ground path is adequate.
- Check with a qualified electrician if you are not sure the dryer is properly grounded.

Gas Dryer Grounding

GROUNDING INSTRUCTIONS

■ For a grounded, cord-connected dryer:
This dryer must be grounded. In the event of malfunction or breakdown, grounding will reduce the risk of electric shock by providing a path of least resistance for electric current. This dryer uses a cord having an equipment-grounding conductor and a grounding plug. The plug must be plugged into an appropriate outlet that is properly installed and grounded in accordance with all local codes and ordinances.

■ For a permanently connected dryer:
This dryer must be connected to a grounded metal, permanent wiring system, or an equipment-grounding conductor must be run with the circuit conductors and connected to the equipment-grounding terminal or lead on the dryer.

WARNING: Improper connection of the equipment-grounding conductor can result in a risk of electric shock. Check with a qualified electrician or service representative or personnel if you are in doubt as to whether the dryer is properly grounded. Do not modify the plug on the power supply cord: if it will not fit the outlet, have a proper outlet installed by a qualified electrician.

SAVE THESE INSTRUCTIONS

GAS DRYER INSTALLATION REQUIREMENTS

Gas Supply

⚠ WARNING



Explosion Hazard

Use a new CSA International approved gas supply line.

Install a shut-off valve.

Securely tighten all gas connections.

If connected to LP, have a qualified person make sure gas pressure does not exceed 13" (330 mm) water column.

Examples of a qualified person include:

**licensed heating personnel,
authorized gas company personnel, and
authorized service personnel.**

Failure to do so can result in death, explosion, or fire.

IMPORTANT: Observe all governing codes and ordinances.

This installation must conform with all local codes and ordinances.

In the absence of local codes, installation must conform with American National Standard, National Fuel Gas Code ANSI Z223.1/NFPA 54 or CAN/CSA B149.

A copy of the above code standards can be obtained from:

National Fire Protection Association
One Batterymarch Park, Quincy, MA 02269

CSA International
8501 East Pleasant Valley Road
Cleveland, Ohio 44131-5575


The design of this dryer has been certified by CSA International for use at altitudes up to 10,000 feet (3048 m) above sea level at the B.T.U. rating indicated on the model/serial plate. Burner input adjustments are not required when the dryer is operated up to this elevation.

When installed above 10,000 feet (3048 m), a four percent (4%) reduction of the burner B.T.U. rating shown on the model/serial plate is required for each 1,000 foot (305 m) increase in elevation. For assistance when converting to other gas types and/or installing above 10,000 feet (3048 m) elevation, contact your local service company.

ELECTRIC DRYER INSTALLATION REQUIREMENTS

Location Requirements

⚠ WARNING



Explosion Hazard

Keep flammable materials and vapors, such as gasoline, away from dryer.

Do not install in a garage.

Failure to do so can result in death, explosion, or fire.

Your dryer can be installed in a basement, laundry room, or recessed area.

Companion appliance location requirements should also be considered.

IMPORTANT: Do not install or store the dryer where it will be exposed to the weather. Proper installation is your responsibility.

You will need:

- A grounded electrical outlet located within 6 ft. (1.8 m) of where the power cord is attached to the back of the dryer. See "Electrical Requirements."
- A level floor with a maximum slope of 1" (25 mm) under entire dryer. Installing the dryer on soft floor surfaces, such as carpets or surfaces with foam backing, is not recommended.

Electric dryer installation clearances

- The location must be large enough to allow the dryer door to be fully opened.
- Additional spacing should be considered for ease of installation and servicing. The door opens more than 180°.
- Additional clearances might be required for wall, door, and floor moldings.
- Additional spacing of 1" (25 mm) on all sides of the dryer is recommended to reduce noise transfer.

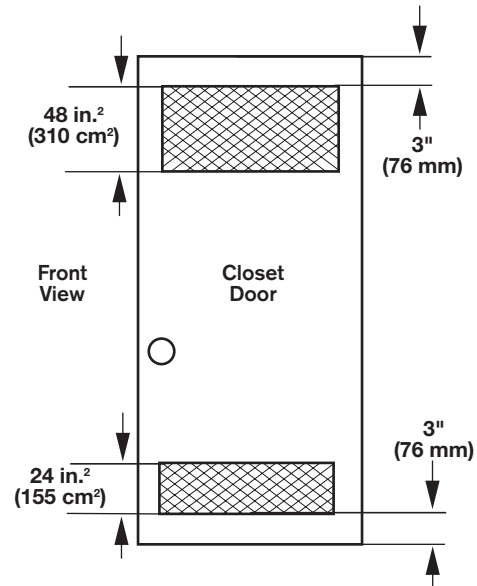
Recessed Area and Closet Installation Instructions

This dryer may be installed in a recessed area or closet. For recessed area and closet installations, minimum clearances can be found on the warning label on the rear of the dryer or in "Dimensions/Clearances."

The installation spacing is in inches and is the minimum allowable. Additional spacing should be considered for ease of installation, servicing, and compliance with local codes and ordinances.

If closet door is installed, the minimum unobstructed air opening in the top and bottom is required. Louvered doors with equivalent air openings are acceptable.

The dryer must be exhausted outdoors.



Electrical Requirements – U.S.A. only

It is your responsibility:

- To contact a qualified electrical installer.
- To be sure that the electrical connection is adequate and in conformance with the National Electrical Code, ANSI/NFPA 70-latest edition and all local codes and ordinances.
- The National Electrical Code requires a 4-wire power supply connection for homes built after 1996, dryer circuits involved in remodeling after 1996, and all mobile home installations.
- A copy of the above code standards can be obtained from: National Fire Protection Association, One Batterymarch Park, Quincy, MA 02269.
- To supply the required 3 or 4 wire, single phase, 120/240 volt, 60 Hz., AC only electrical supply (or 3 or 4 wire, 120/208 volt electrical supply, if specified on the serial/rating plate) on a separate 30-amp circuit, fused on both sides of the line. A time delay fuse or circuit breaker is recommended. Connect to an individual branch circuit. Do not have a fuse in the neutral or grounding circuit.
- Do not use an extension cord.
- If codes permit and a separate ground wire is used, it is recommended that a qualified electrician determine that the ground path is adequate.

ELECTRIC DRYER INSTALLATION REQUIREMENTS

Electrical Requirements – U.S.A. only (cont.)

Electrical Connection

To properly install your dryer, you must determine the type of electrical connection you will be using and follow the instructions provided for it here.

- This dryer is manufactured ready to install with a 3-wire electrical supply connection. The neutral ground conductor is permanently connected to the neutral conductor (white wire) within the dryer. If the dryer is installed with a 4-wire electrical supply connection, the neutral ground conductor must be removed from the external ground connector (green screw), and secured under the neutral terminal (center or white wire) of the terminal block. When the neutral ground conductor is secured under the neutral terminal (center or white wire) of the terminal block, the dryer cabinet is isolated from the neutral conductor.
- If local codes do not permit the connection of a neutral ground wire to the neutral wire, see “Optional 3-wire connection” section.
- A 4-wire power supply connection must be used when the appliance is installed in a location where grounding through the neutral conductor is prohibited. Grounding through the neutral is prohibited for (1) new branch-circuit installations and (2) areas where local codes prohibit grounding through the neutral conductor.

Electric Dryer Grounding

GROUNDING INSTRUCTIONS

- For a grounded, cord-connected dryer:
This dryer must be grounded. In the event of malfunction or breakdown, grounding will reduce the risk of electric shock by providing a path of least resistance for electric current. This dryer uses a cord having an equipment-grounding conductor and a grounding plug. The plug must be plugged into an appropriate outlet that is properly installed and grounded in accordance with all local codes and ordinances.
- For a permanently connected dryer:
This dryer must be connected to a grounded metal, permanent wiring system, or an equipment-grounding conductor must be run with the circuit conductors and connected to the equipment-grounding terminal or lead on the dryer.

WARNING: Improper connection of the equipment-grounding conductor can result in a risk of electric shock. Check with a qualified electrician or service representative or personnel if you are in doubt as to whether the dryer is properly grounded. Do not modify the plug on the power supply cord: if it will not fit the outlet, have a proper outlet installed by a qualified electrician.

SAVE THESE INSTRUCTIONS

Electric Dryer Power Supply Cord

WARNING



Fire Hazard

Use a new UL listed 30 amp power supply cord.

Use a UL listed strain relief.

Disconnect power before making electrical connections.

Connect neutral wire (white or center wire) to center terminal.

Ground wire (green or bare wire) must be connected to green ground connector.

Connect remaining 2 supply wires to remaining 2 terminals (gold).

Securely tighten all electrical connections.

Failure to do so can result in death, fire, or electrical shock.

If using a power supply cord:

Use a UL listed power supply cord kit marked for use with clothes dryers. The kit should contain:

- A UL listed 30-amp power supply cord, rated 120/240 volt minimum. The cord should be type SRD or SRDT and be at least 4 ft. (1.22 m) long. The wires that connect to the dryer must end in ring terminals or “U” shaped spade terminals with upturned ends.
- A UL listed strain relief.

If your outlet looks like this:



4-Wire
Receptacle
(14-30R)

Then choose a 4-wire power supply cord with ring or spade terminals and UL listed strain relief. The 4-wire power supply cord, at least 4 ft. (1.22 m) long, must have four 10-gauge copper wires and match a 4-wire receptacle of NEMA Type 14-30R. The ground wire (ground conductor) may be either green or bare. The neutral conductor must be identified by a white cover.

If your outlet looks like this:




3-Wire
Receptacle
(10-30R)

Then choose a 3-wire power supply cord with ring or spade terminals and UL listed strain relief. The 3-wire power supply cord, at least 4 ft. (1.22 m) long, must have three 10-gauge copper wires and match a 3-wire receptacle of NEMA Type 10-30R.

ELECTRIC DRYER INSTALLATION REQUIREMENTS

Direct Wire

⚠ WARNING



Fire Hazard

Use 10 gauge copper wire.

Use a UL listed strain relief.

Disconnect power before making electrical connections.

Connect neutral wire (white or center wire) to center terminal.

Ground wire (green or bare wire) must be connected to green ground connector.

Connect remaining 2 supply wires to remaining 2 terminals (gold).

Securely tighten all electrical connections.

Failure to do so can result in death, fire, or electrical shock.


If connecting by direct wire:

Power supply cable must match power supply (4-wire or 3-wire) and be:

- Flexible armored cable or nonmetallic sheathed copper cable (with ground wire), covered with flexible metallic conduit. All current-carrying wires must be insulated.
- 10-gauge solid copper wire (do not use aluminum).
- At least 5 ft. (1.52 m) long.

Electrical Requirements – Canada only

⚠ WARNING



Electrical Shock Hazard

Plug into a grounded 4 prong outlet.

Failure to do so can result in death or electrical shock.

- Do not use an extension cord.

If you are using a replacement power supply cord, it is recommended that you use Power Supply Cord Replacement Part Number 9831317. For further information, please reference the service numbers located in the “Assistance or Service” section.

GROUNDING INSTRUCTIONS

- For a grounded, cord-connected dryer:
This dryer must be grounded. In the event of malfunction or breakdown, grounding will reduce the risk of electric shock by providing a path of least resistance for electric current. This dryer is equipped with a cord having an equipment-grounding conductor and a grounding plug. The plug must be plugged into an appropriate outlet that is properly installed and grounded in accordance with all local codes and ordinances.

WARNING: Improper connection of the equipment-grounding conductor can result in a risk of electric shock. Check with a qualified electrician or service representative or personnel if you are in doubt as to whether the dryer is properly grounded. Do not modify the plug provided with the dryer: if it will not fit the outlet, have a proper outlet installed by a qualified electrician.

SAVE THESE INSTRUCTIONS

It is your responsibility:

- To contact a qualified electrical installer.
- To be sure that the electrical connection is adequate and in conformance with the Canadian Electrical Code, C22.1 – latest edition and all local codes. A copy of the above codes standard may be obtained from: Canadian Standards Association, 178 Rexdale Blvd., Toronto, ON M9W 1R3 CANADA.
- To supply the required 4 wire, single phase, 120/240 volt, 60 Hz., AC only electrical supply on a separate 30-amp circuit, fused on both sides of the line. A time-delay fuse or circuit breaker is recommended. Connect to an individual branch circuit.
- This dryer is equipped with a CSA International Certified Power Cord intended to be plugged into a standard 14-30R wall receptacle. The cord is 5 ft (1.52 m) in length. Be sure wall receptacle is within reach of dryer’s final location.



4-Wire
Receptacle
(14-30R)

DRYER VENTING REQUIREMENTS

⚠ WARNING



Fire Hazard

Use a heavy metal vent.

Do not use a plastic vent.

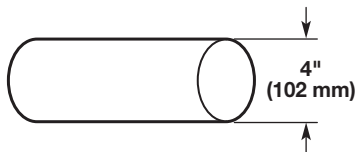
Do not use a metal foil vent.

Failure to follow these instructions can result in death or fire.

WARNING: To reduce the risk of fire, this dryer **MUST BE EXHAUSTED OUTDOORS**.

IMPORTANT: Observe all governing codes and ordinances.

Dryer exhaust must not be connected into any gas vent, chimney, wall, ceiling, attic, crawlspace, or a concealed space of a building. Only rigid or flexible metal vent shall be used for exhausting.



4" (102 mm) Heavy, Metal Exhaust Vent

- Only a 4" (102 mm) heavy, metal exhaust vent and clamps may be used.
- Do not use plastic or metal foil vent.

Rigid metal vent:

- Recommended for best drying performance and to avoid crushing and kinking.

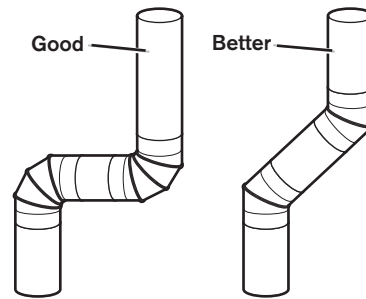
Flexible metal vent: (Acceptable only if accessible to clean)

- Must be fully extended and supported in final dryer location.
- Remove excess to avoid sagging and kinking that may result in reduced airflow and poor performance.
- Do not install in enclosed walls, ceilings, or floors.
- The total length should not exceed 7¾ ft. (2.4 m).

NOTE: If using an existing vent system, clean lint from entire length of the system and make sure exhaust hood is not plugged with lint. Replace plastic or metal foil vents with rigid metal or flexible metal vents. Review "Vent System Chart" and if necessary, modify existing vent system to achieve best drying performance.

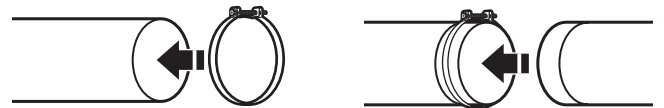
Elbows:

- 45° elbows provide better airflow than 90° elbows.



Clamps:

- Use clamps to seal all joints.
- Exhaust vent must not be connected or secured with screws or other fastening devices that extend into interior of duct and catch lint. Do not use duct tape.



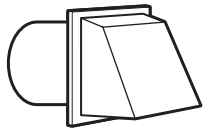
Improper venting can cause moisture and lint to collect indoors, which may result in:

- Moisture damage to woodwork, furniture, paint, wallpaper, carpets, etc.
- Housecleaning problems and health problems.

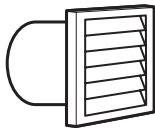
DRYER VENTING REQUIREMENTS

Vent Hoods

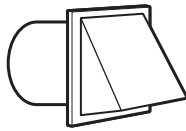
4" (102 mm) Diameter Exhaust Hoods



Box Hood

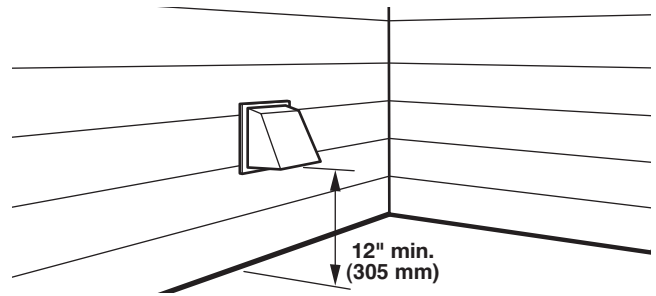


Louvered Hood



Angled Hood

Exhaust hood must be at least 12" (305 mm) from the ground or any object that may be in the path of the exhaust (such as flowers, rocks, bushes, or snow).



Vent System Length

Maximum Vent Length/Vent Connection

Maximum length of vent system depends upon the type of vent used, number of elbows, and type of exhaust hood.

Vent System Chart (Rigid Metal Vent)

No. of 90° Turns	Box and Louvered Hood	Angled Hood
0	130 ft. (39.6 m)	129 ft. (39.3 m)
1	125 ft. (38.1 m)	119 ft. (36.3 m)
2	115 ft. (35.1 m)	109 ft. (33.2 m)
3	106 ft. (32.3 m)	100 ft. (30.5 m)
4	98 ft. (29.9 m)	92 ft. (28.0 m)

For vent systems not covered by the vent specification chart, see your parts distributor.

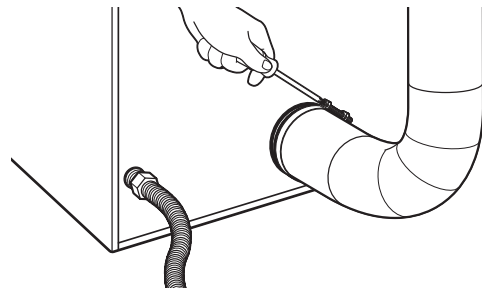
Provision must be made for enough air for combustion and ventilation. (Check governing codes and ordinances.) See "Recessed Area and Closet Installation Instructions" in the "Location Requirements" sections.

A 4" (102 mm) outlet hood is preferred. However, a 2½" (64 mm) outlet exhaust hood may be used. A 2½" (64 mm) outlet creates greater back pressure than other hood types. For permanent installation, a stationary vent system is required.

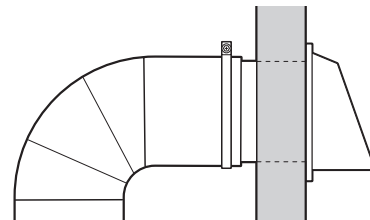
Connect Vent

1. If connecting to existing vent, make sure the vent is clean.
2. Using a 4" (102 mm) clamp, connect vent to exhaust outlet in dryer.

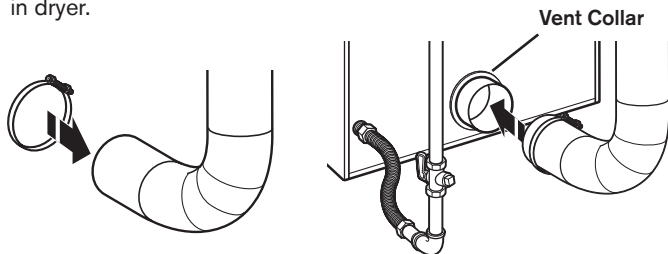
3. Tighten hose clamp with Phillips screwdriver.



4. Make sure the vent is secured to exhaust hood with a 4" (102 mm) clamp.



5. Move dryer into final position. Do not crush or kink vent. Make sure dryer is level.

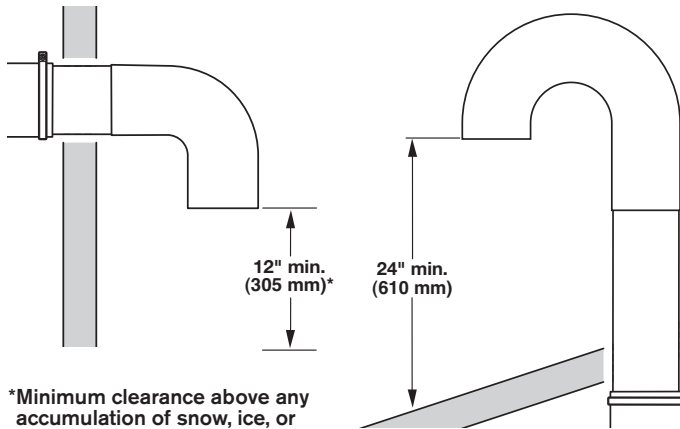


NOTE: Do not remove vent collar.

DRYER VENTING REQUIREMENTS

If an Exhaust Hood Cannot be Used

The outside end of main vent should have a sweep elbow directed downward.



If main vent travels vertically through the roof, rather than through wall, install a 180° sweep elbow on end of vent at least 2 ft. (610 mm) above surface of roof.

The opening in wall or roof shall have a diameter 1/2" (13 mm) larger than vent diameter. Vent should be centered in opening.

Do not install screening over end of vent for best performance.

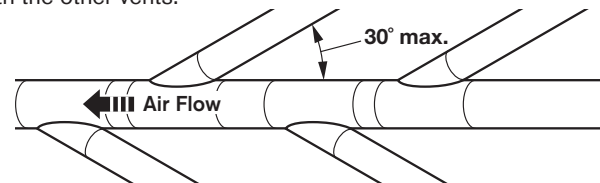
Multiple Dryer Venting

A main vent can be used for venting a group of dryers. The main vent should be sized to remove 5663 l/min. (200 CFM) of air per dryer. Large-capacity lint screens of proper design may be used in main vent if checked and cleaned frequently. The room where the dryers are located should have make-up air equal to or greater than CFM of all the dryers in the room.

Back-draft dampers are available from your distributor and should be installed in the vent of each dryer to keep exhausted air from returning into dryers and to keep exhaust in balance within main vent. Unobstructed return air openings are required.

Although usually each single-load dryer should have an unobstructed outdoor air opening of 24 in.² (154 cm²) (based on 1 in.² [6.5 cm²] per 1,000 Btu [252 kcal]), common make-up air openings are also acceptable. Set up common openings so the make-up air is distributed equally to all of the dryers. Keep in mind that the coverage area must be increased by 33% to account for the use of registers or louvers over the openings. Also, make-up air openings should not be installed near the location where exhaust vents exit the building.

Each vent should enter the main vent at an angle pointing in the direction of the airflow. Vents entering from the opposite side should be staggered to reduce the exhausted air from interfering with the other vents.



The maximum angle of each vent entering the main vent should be no more than 30°.

Keep air openings free of dry cleaning fluid fumes. Fumes create acids which, when drawn through the dryer heating units, can damage dryers and items being dried.

A clean-out cover should be located on the main vent for periodic cleaning of the vent system.

GAS SUPPLY CONNECTION

Make Gas Connection

⚠ WARNING

Excessive Weight Hazard

Use two or more people to move and install dryer.

Failure to do so can result in back or other injury.

1. Remove red cap from gas pipe on back of dryer.
2. Connect gas supply to dryer. Use a pipe thread compound approved for the type of gas supplied. If flexible metal tubing is used, be certain there are no kinks.
If necessary for service, open the toe panel. Use a putty knife to press on the toe panel lock located at the center top of the toe panel. Pull downward on the toe panel to open. Toe panel is hinged at the bottom.
3. Open the shut-off valve in the gas supply line and make sure the dryer has its own gas supply opened.
4. Test all connections by brushing on an approved noncorrosive leak-detection solution. Bubbles will show a leak. Correct any leaks found.

GAS SUPPLY CONNECTION

Type of Gas

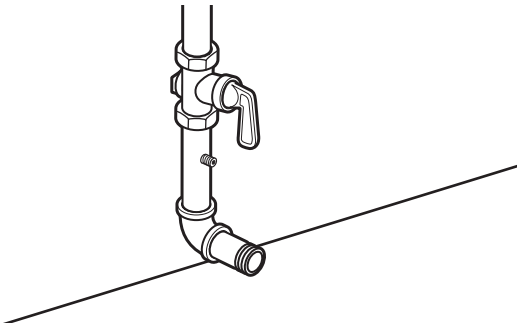
This dryer is equipped for use with natural gas. It is design-certified by CSA International for LP (propane and butane) gases with appropriate conversion. No attempt shall be made to convert dryer from gas specified on serial/rating plate for use with a different gas without consulting the serving gas supplier. Conversion must be done by a qualified service technician.

Gas conversion kit part numbers are listed near gas valve burner base.

Gas Supply Line

Recommended Method

Provide a gas supply line of 1/2" (13 mm) rigid (IPS) pipe to dryer location. Pipe joint compounds that resist action of LP gas must be used. Do not use TEFLON^{®†} tape. With LP gas, piping or tubing size can be 1/2" (13 mm) minimum. Usually, LP gas suppliers determine size and materials used in the system.



Gas Supply Pressure Testing

A 1/8" (3 mm) NPT minimum plugged tapping, accessible for gauge testing, must be installed immediately downstream of the installed shut-off valve to the dryer (as shown above). The dryer must be disconnected from the gas supply piping system during any pressure testing of the system at test pressures in excess of 1/2" psig (352 kg/m²).

Alternate Method

The gas supply may also be connected using 3/8" (10 mm) approved copper or aluminum tubing. If the total length of the supply line is more than 20 ft. (6.1 m), larger tubing will be required.

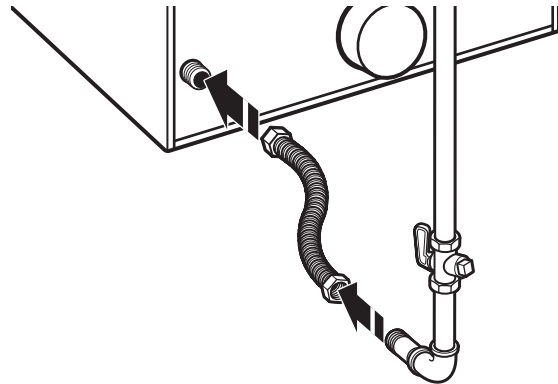
If using natural gas, do not use copper tubing. Pipe joint compounds that resist action of type of gas supplied must be used.

Shut-off valve required

The supply line must be equipped with a manual shut-off valve installed within 6 ft. (1.8 m) of dryer in accordance with National Fuel Gas Code, ANSI Z223.1. This valve should be located in same room as dryer. It should be in a location that allows ease of opening and closing. Do not block access to shut-off valve. In Canada, an individual manual shut-off valve must be installed in accordance with the B149 installation codes CAN/CGA B149.1 and CAN/CGA B149.2.

Flexible Metal Appliance Connector

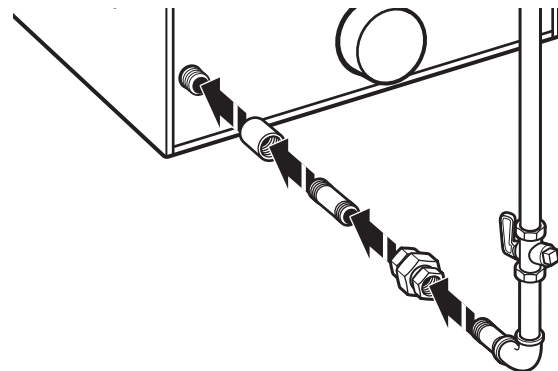
It is recommended that a new flexible stainless steel gas line, design-certified by CSA International, be used for connecting the dryer to the gas supply line. (The gas pipe which extends through the lower rear of the dryer is provided with 3/8" [10 mm] male pipe thread.)



NOTE: Do not kink or damage the flexible stainless steel gas line when moving the dryer.

Rigid Pipe Connection

The rigid pipe connection requires a combination of pipe fittings to obtain an in-line connection to the dryer.



†TEFLON is a registered trademark of E.I. Du Pont De Nemours and Company.

INSTALLING LEVELING LEGS, COIN SLIDE, AND COIN BOX

On some models: The console houses the electronic control board. The board is factory set for a dry time of 45 minutes. Consult the tech sheet found inside the dryer toe panel to reset dry time and for other options.

The card reading mechanism is not included, but is available from your usual industry sources.

⚠ WARNING

Excessive Weight Hazard

Use two or more people to move and install dryer.

Failure to do so can result in back or other injury.

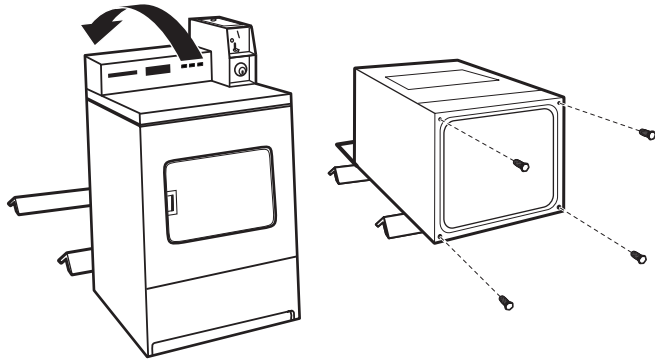
1. Prepare dryer for leveling legs

NOTE: Slide dryer onto cardboard or hardboard before moving to avoid damaging floor covering.

Using two or more people, move dryer to desired installation location.

Take tape off front corners of dryer. Open dryer and remove the literature and parts packages. Wipe drum interior with a damp cloth to remove any dust.

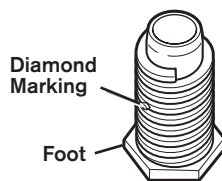
Take two cardboard corners from the dryer carton and place them on the floor in back of the dryer. Firmly grasp the body of the dryer and gently lay it on its back on the cardboard corners. Disconnect power before making electrical connections.



(appearance may vary)

2. Screw in leveling legs

Examine leveling legs and find diamond marking. Screw legs into leg holes by hand. Use an adjustable wrench or 1" (25 mm) hex-head socket wrench to finish turning legs until diamond marking is no longer visible. Then fit a covered foot boot over each leg foot.



To protect the floor, use a large piece of cardboard from the dryer carton. Stand dryer up on the cardboard. Slide the dryer until it is close to its final location. Leave enough room for electrical connection and to connect the exhaust vent.

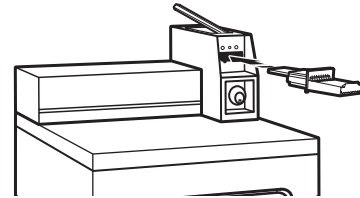
On some models: The meter case houses the factory-installed accumulator timer with actuating arm or service switch.

The factory-installed timer is set to provide 45 minutes (4 pins) of drying time when activated by the coin slide. Timer cams for 30-minute (6 pins) and 60-minute (3 pins) drying times are included in the parts bag.

The coin slide mechanism, service door lock and key, and coin box lock and key may not be included but are available from the usual industry sources.

1. Install coin slide and coin box

Remove the service door of the meter case by lifting it up at the back. Install the money-accepting device. (Refer to manufacturer's instructions for proper installation.)



For dryers using coin slides, use the adapter kit supplied with the dryer.

Replace the meter case service door. Put the coin vault with lock and key in the meter case opening.

Remove cardboard or hardboard from under dryer. Adjust the legs of the dryer up or down until the dryer is level.

2. Install added security device

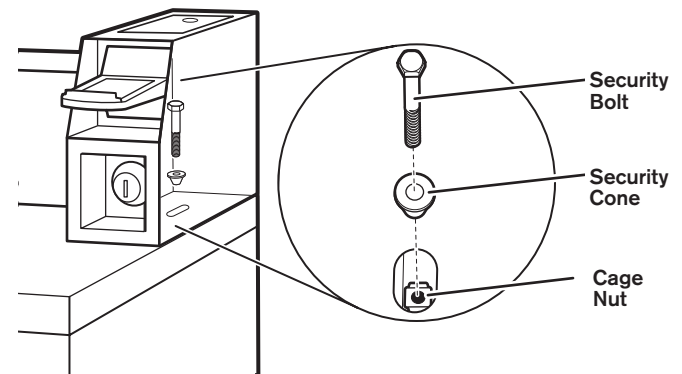
Check that power is not supplied to the dryer.

Open and remove the service door.

Insert the narrow part of the security cone into the oblong hole in the bottom rear of the meter case assembly.

Pass the security bolt through this cone and thread it by hand into the cage nut below the oblong hole.

Tighten the security bolt by hand a few turns before using a wrench to tighten until snug.

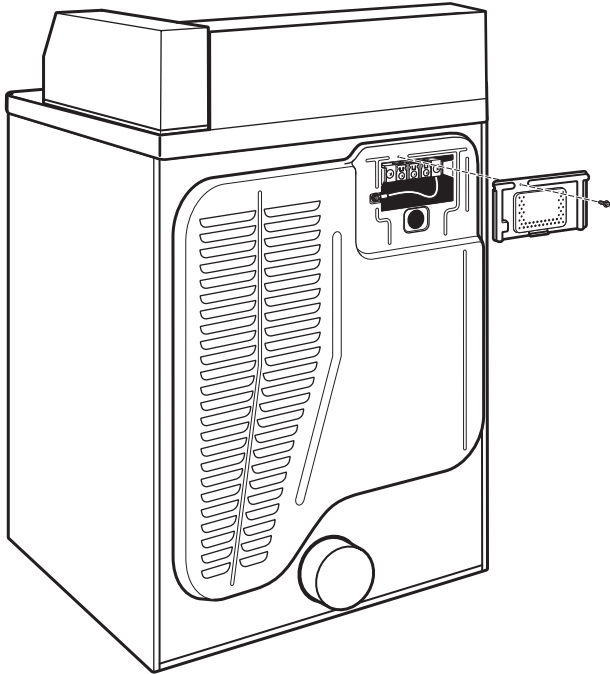


NOTE: Installing the security bolt provides added security, but will add to the service time when the top needs to be removed for servicing the dryer.

ELECTRIC DRYER ELECTRICAL CONNECTIONS (FOR U.S.A. ONLY)

Strain Relief

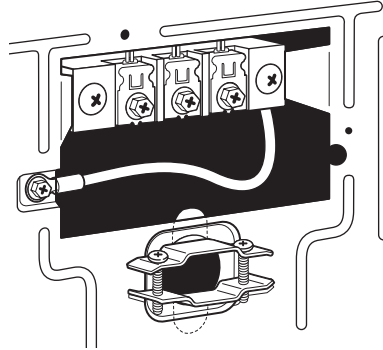
Remove Terminal Block Cover



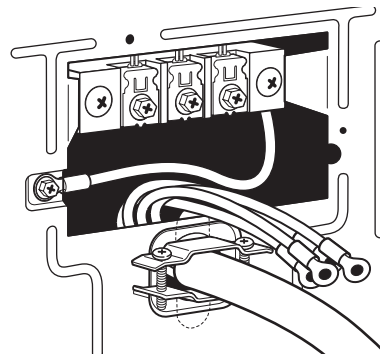
(appearance may vary)

Power Supply Cord Strain Relief

1. Insert strain relief.



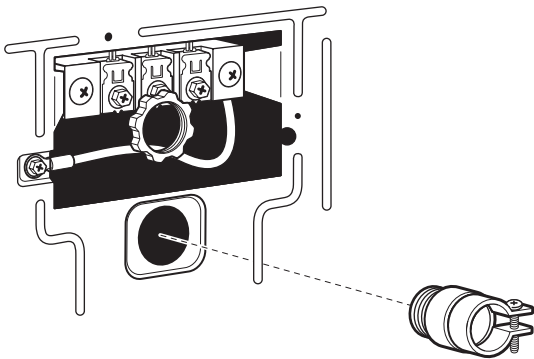
2. Insert power cord into strain relief.



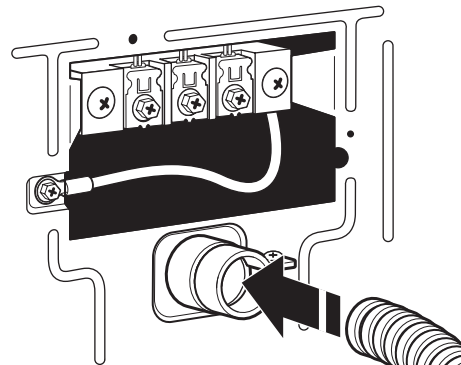
Strain Relief

Direct Wire Strain Relief

1. Insert strain relief.



2. Insert conduit into strain relief and tighten clamp.

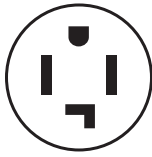


ELECTRIC DRYER ELECTRICAL CONNECTIONS (FOR U.S.A. ONLY)

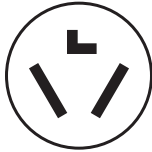
Connection Options

Power Cord

4-wire receptacle (NEMA Type 14-30R)

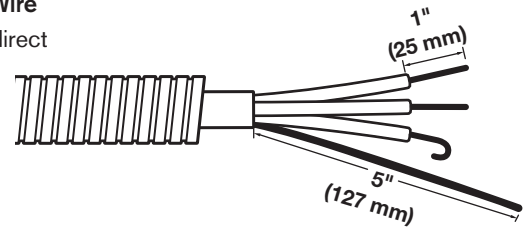


3-wire receptacle (NEMA Type 10-30R)

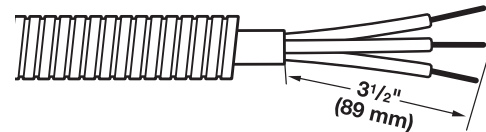


Direct Wire

4-wire direct



3-wire direct



Connecting 4-Wire Connection: Power Supply Cord

IMPORTANT: A 4-wire connection is required for mobile homes and where local codes do not permit the use of 3-wire connections.

Standard Power Supply Cord Connectors



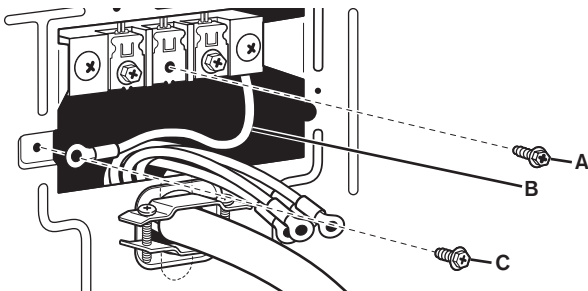
Flanged Spade Connector



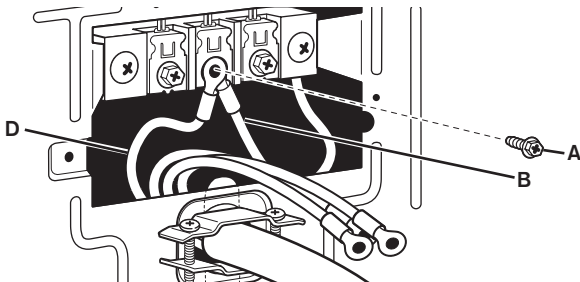
Ring Connector

Connecting Neutral Ground and Neutral Wires

1. Remove center terminal block screw (A) and the neutral ground wire (B) by removing the green external ground conductor screw (C).

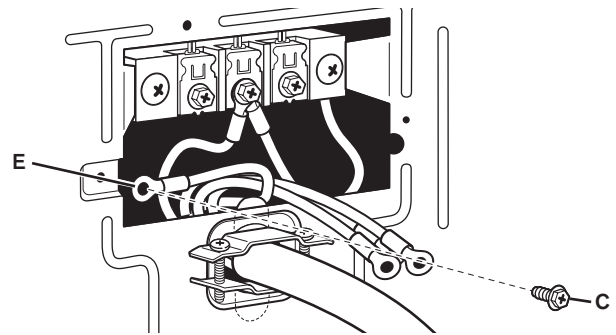


2. Connect neutral ground wire (B) and neutral wire (white or center wire) (D) of power supply cord under center terminal block screw (A). Tighten screw.



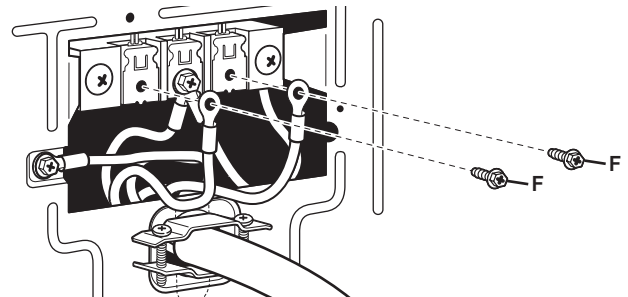
Connecting Direct Wire Ground

3. Connect ground wire (green or bare) (E) of power supply cord under green external ground conductor screw (C). Tighten screw.



Connecting Remaining Wires

4. Connect remaining wires under outer terminal block screws (F). Tighten screws. Finally, reinstall terminal block to dryer rear panel. Secure cover with hold-down screw.



ELECTRIC DRYER ELECTRICAL CONNECTIONS (FOR U.S.A. ONLY)

Connecting 3-Wire Connection: Power Supply Cord

Standard Power Cord Connectors



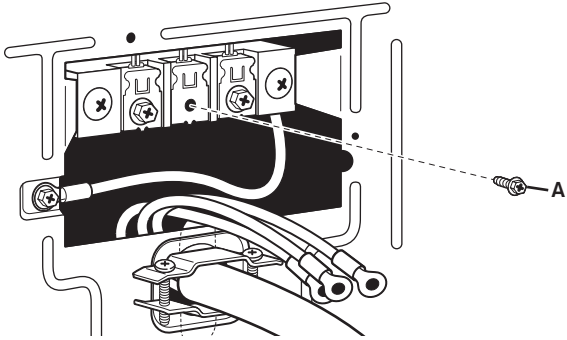
Flanged Spade Connector



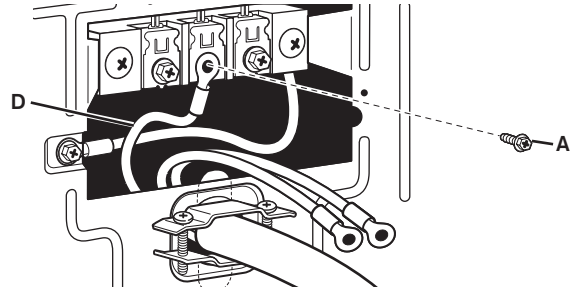
Ring Connector

Connecting Neutral Wire

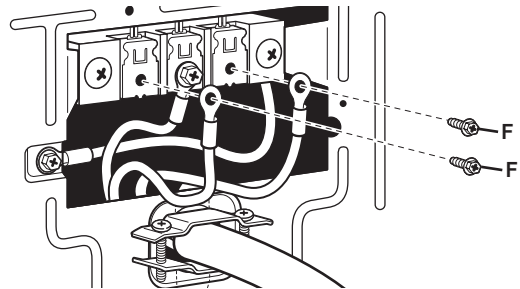
1. Loosen or remove center terminal block screw (A).



2. Connect neutral wire (white or center wire) (D) of power supply cord under center terminal block screw (A). Tighten screw.



3. Connect remaining wires under outer terminal block screws (F). Tighten screws. Finally, reinstall terminal block to dryer rear panel. Secure cover with hold-down screw.



Connecting 4-Wire Connection: Direct Wire

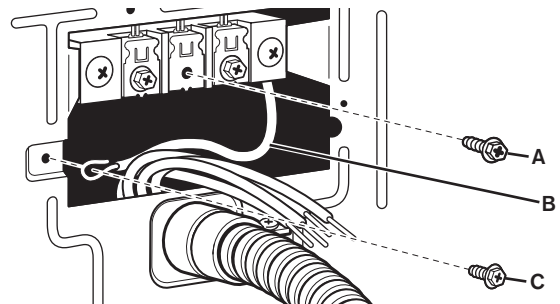
IMPORTANT: A 4-wire connection is required for mobile homes and where local codes do not permit the use of 3-wire connections.

Direct wire cable must have 5 ft. (1.52 m) of extra length so dryer can be moved if needed.

Strip 5" (127 mm) of outer covering from end of cable, leaving bare ground wire at 5" (127 mm). Cut 1½" (38 mm) from 3 remaining wires. Strip insulation back 1" (25 mm). Shape ends of wires into a hook shape.

Connecting Neutral Ground and Neutral Wires

1. Remove center terminal block screw (A) and the neutral ground wire (B) by removing the green external ground conductor screw (C).

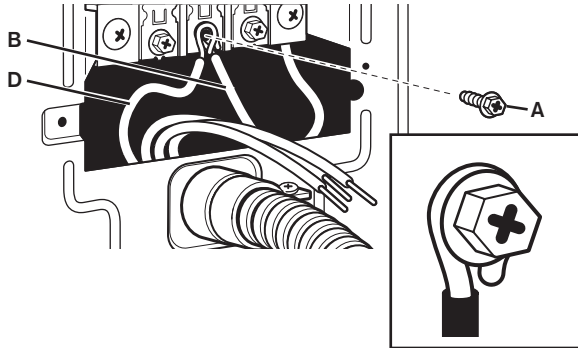


ELECTRIC DRYER ELECTRICAL CONNECTIONS (FOR U.S.A. ONLY)

Connecting 4-Wire Connection: Direct Wire

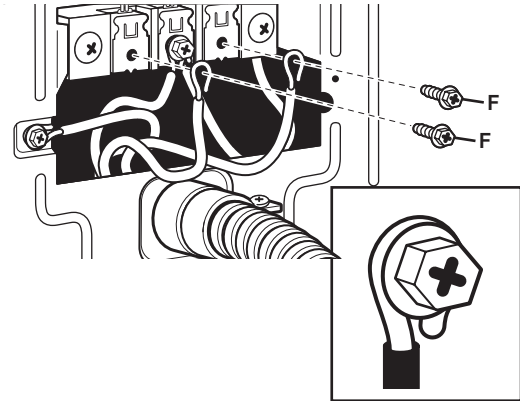
Connecting Neutral Ground and Neutral Wires (cont.)

2. Connect neutral ground wire (B) and place hooked end (hook facing right) of neutral wire (white or center wire) (D) of direct wire cable under center terminal block screw (A). Squeeze hooked ends together and tighten screw.



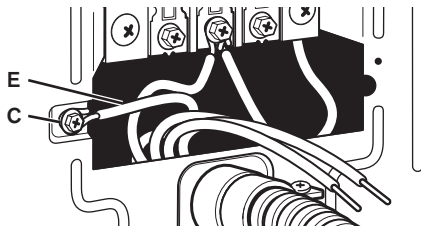
Connecting Remaining Wires

4. Connect remaining wires under outer terminal block screws (F). Squeeze hooked ends together and tighten screws. Finally, reinstall terminal block to dryer rear panel. Secure cover with hold-down screw.



Connecting Direct Wire Ground

3. Connect ground wire (green or bare wire) (E) of direct wire cable under green external ground conductor screw (C). Tighten screw.



Connecting 3-Wire Connection: Direct Wire

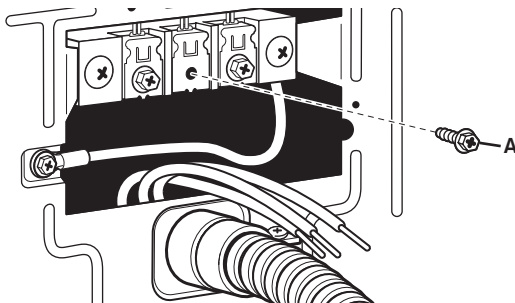
Use where local codes permit connecting cabinet-ground conductor to neutral wire.

Direct wire cable must have 5 ft. (1.52 m) of extra length so dryer can be moved if needed.

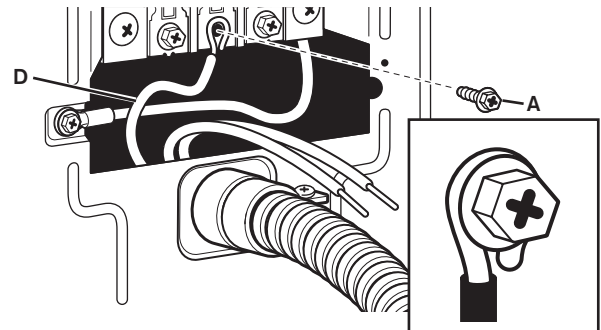
Strip 3½" (89 mm) of outer covering from end of cable. Strip insulation back 1" (25 mm). If using 3-wire cable with ground wire, cut bare wire even with outer covering. Shape ends of wires into a hook shape.

Connecting Neutral Wire

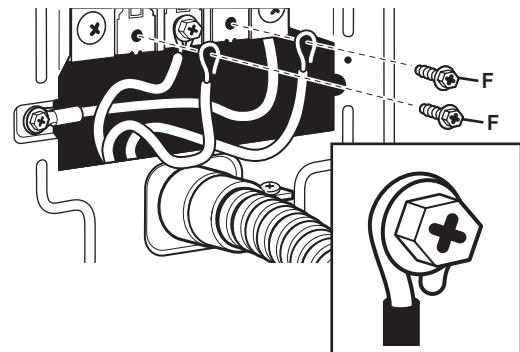
1. Loosen or remove center terminal block screw (A).



2. Place hooked end of neutral wire (white or center wire) (D) of direct wire cable under center terminal block screw (A), hook facing right. Squeeze hooked end together and tighten screw.



3. Connect remaining wires under outer terminal block screws (F). Squeeze hooked ends together and tighten screws. Finally, reinstall terminal block to dryer rear panel. Secure cover with hold-down screw.



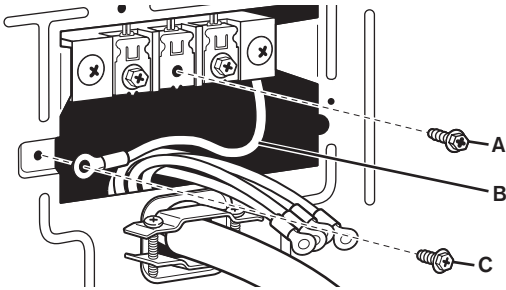
ELECTRIC DRYER ELECTRICAL CONNECTIONS (FOR U.S.A. ONLY)

Connecting 3-Wire Connection: Optional

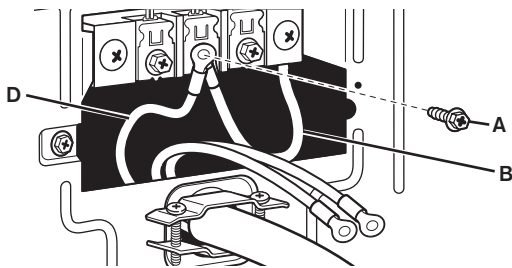
Use for direct wire or power supply cord where local codes do not permit connecting cabinet-ground conductor to neutral wire.

Connecting Neutral Wire

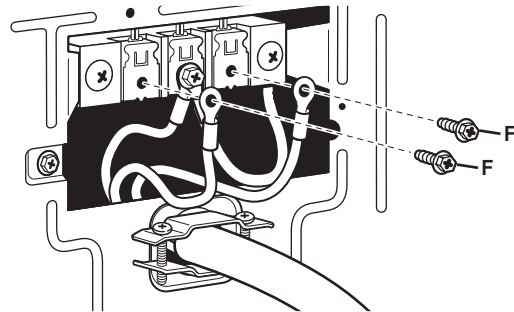
1. Remove center terminal block screw (A). Also remove neutral ground wire (B) by removing green external ground conductor screw (C).



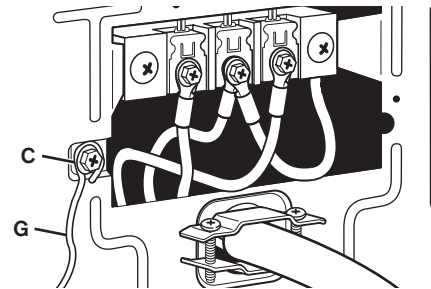
2. Connect neutral ground wire (B) and neutral wire (white or center wire) (D) of power supply cord/cable under center terminal block screw (A). Tighten screw.



3. Connect remaining wires under outer terminal block screws (F). Tighten screws.



4. Connect a separate copper ground wire (G) under the green external ground conductor screw (C) to an adequate ground. Finally, reinstall terminal block to dryer rear panel. Secure cover with hold-down screw.



LEVELING

Leveling your dryer properly reduces excess noise and vibration.

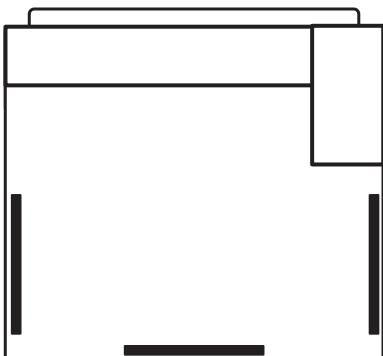
⚠ WARNING

Excessive Weight Hazard

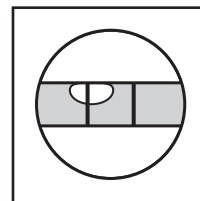
Use two or more people to move and install dryer.

Failure to do so can result in back or other injury.

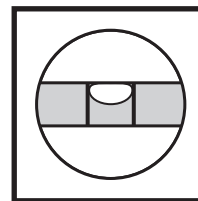
1. Remove cardboard from beneath dryer. Place a level on top edges of dryer, checking each side and front. If not level, tip dryer and adjust legs up or down as shown in Step 3, repeating as necessary.



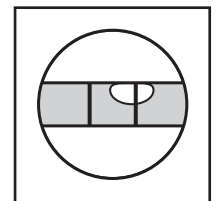
(appearance may vary)



Not Level



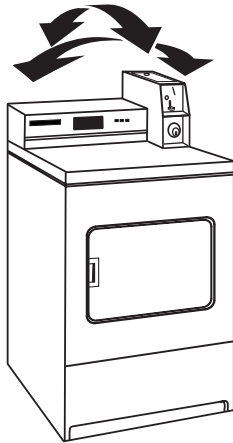
LEVEL



Not Level

LEVELING

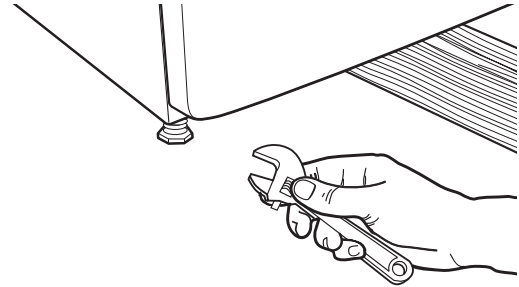
2. Grip dryer from top and rock back and forth, making sure all four legs are firmly on floor. Repeat, rocking dryer from side to side. If dryer rocks, go to Step 3 and adjust leveling legs.



(appearance may vary)

3. If dryer is not level, use a 1" or 25 mm open-end or adjustable wrench to turn the leveling leg counterclockwise to lower the dryer or clockwise to raise the dryer. Recheck levelness of dryer and that all four legs are firmly in contact with the floor. Repeat as needed.

HELPFUL TIP: You may want to prop up front of dryer about 4" (102 mm) with a wood block or similar object that will support weight of dryer.



COMPLETE INSTALLATION

1. Check the electrical requirements. Be sure that you have the correct electrical supply and the recommended grounding method. See "Electrical Requirements."
2. Check that all parts are now installed. If there is an extra part, go back through the steps.
3. Check that you have all of your tools.
4. Dispose of/recycle all packaging materials.

⚠ WARNING



Electrical Shock Hazard

Plug into a grounded 3 prong outlet.

Do not remove ground prong.

Do not use an adapter.

Do not use an extension cord.

Failure to follow these instructions can result in death, fire, or electrical shock.

6. Check dryer operation:

Models with Electronic Display:

Close dryer door. Set the cycle. Operating time will accumulate per number of coins.

Mechanical Models:

Some accumulated time may be on the timer due to factory testing. Close dryer door. Turn timer-set knob to the right. (Operating time will accumulate per number of depressions and type of timing cam used.) Push START button.

Using a full heat cycle (not the air cycle), let the dryer run for at least five minutes. Dryer will stop when time is used up. Make sure the dryer turns off.

NOTE: Dryer door must be closed for dryer to operate. When door is open, dryer stops, but timer continues to run. To restart dryer, close door and push START button (mechanical models only).

7. Open the dryer door. Check that the inside of the dryer is warm. If the burner does not ignite and you can feel no heat inside the dryer, shut off dryer for five minutes. Check that all supply valve controls are in "ON" position and that the electrical cord is plugged in. Repeat five-minute test.
8. If drying time is too long, make sure that the lint screen is clean and that there are no obstructions to airflow in the dryer vent system.
9. Restart the dryer and allow it to complete a full heat cycle (not air cycle) to make sure it is working properly.

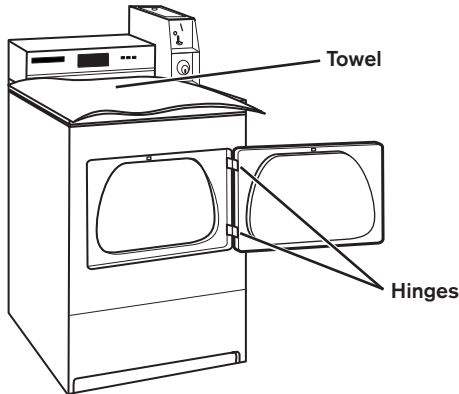
5. Plug into a grounded outlet, or connect power.

REVERSING DRYER DOOR SWING (OPTIONAL)

You can change your door swing from a right-side opening to left-side opening, if desired.

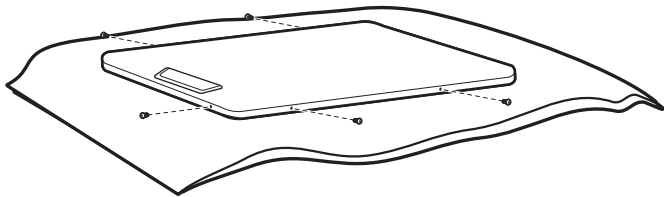
Remove the Door Assembly

1. Place a towel or soft cloth on top of dryer or work space to avoid scratching of the surface.
2. Open dryer door. Remove bottom screws from cabinet side of hinges. Loosen (do not remove) top screws from cabinet side of hinges.

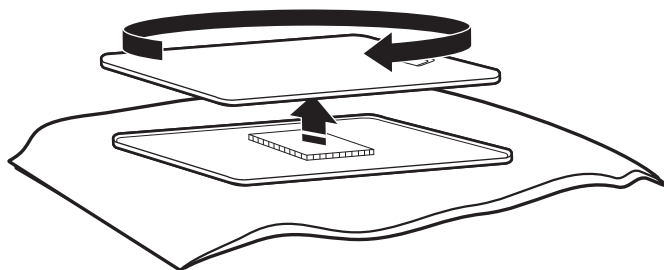


(appearance may vary)

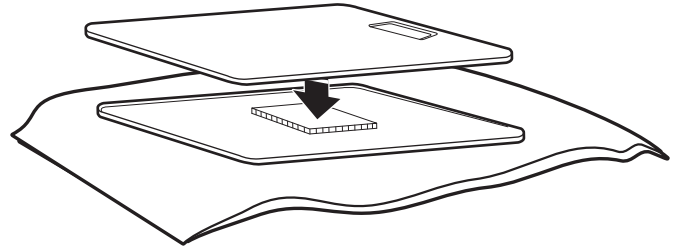
3. Lift door until top screws in cabinet are in large part of hinge slot. Pull forward off screws. Set door (handle side up) on top of dryer. Remove top screws from cabinet.
4. Remove screws attaching hinges to door.
5. Remove screws at top, bottom, and side of door (5 screws).



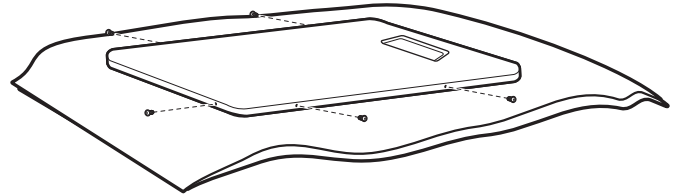
6. Holding door over towel on dryer, grasp sides of outer door and gently lift to separate it from inner door. Do not use a putty knife to pry apart. Do not pull on door seal or plastic door catch.



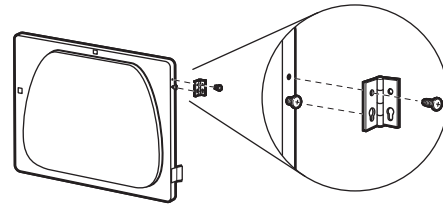
7. Be certain to keep cardboard spacer centered between doors. Reattach outer door panel to inner door panel so handle is on the side where hinges were just removed.



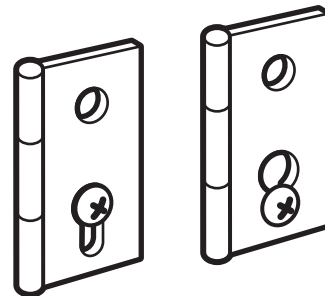
8. Reattach screws at top, bottom, and side of door (5 screws).



9. Attach door hinges to dryer door so that larger hole is at the bottom of the hinge and the hinge pin is toward the door front.



10. Remove the 4 screws that attach 2 plugs on the left side. Attach plugs to right side using the same 4 screws.
11. Insert screws into bottom holes on left side of cabinet. Tighten screws halfway. Position door so large end of door hinge slot is over screws. Slide door up so screws are in bottom of slots. Tighten screws. Insert and tighten top screws in hinges.



12. Close door and check that door strike aligns with door catch. If needed, slide door catch left or right within slot to adjust alignment.

CHANGING TO A 30- OR 60-MINUTE TIMING CAM (on some models)

⚠ WARNING

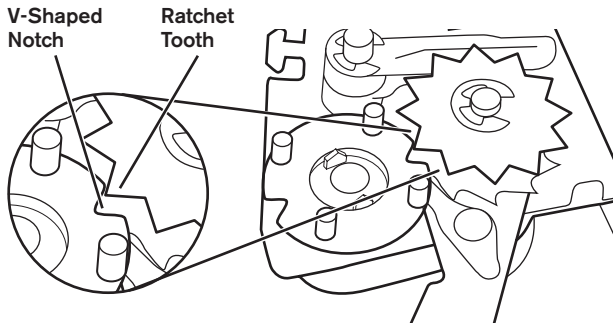


Electrical Shock Hazard

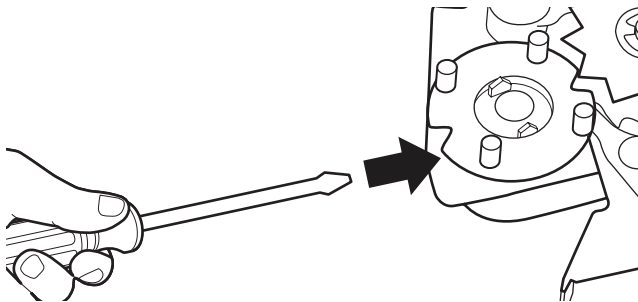
Disconnect power before making cam changes.
Failure to follow these instructions can result in death or electrical shock.

Coin-slide models: You can install the 30-minute or 60-minute timing cam (shipped with dryer) as follows:

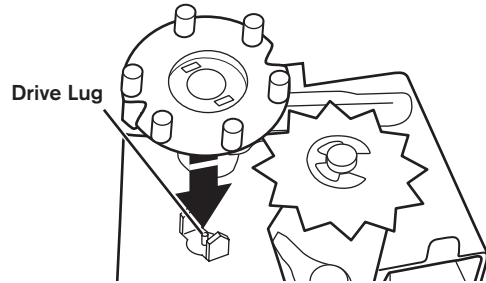
1. Unplug dryer or disconnect power.
2. Unlock meter case.
3. Turn the timing cam by hand until the V-shaped notch lines up below the ratchet tooth.



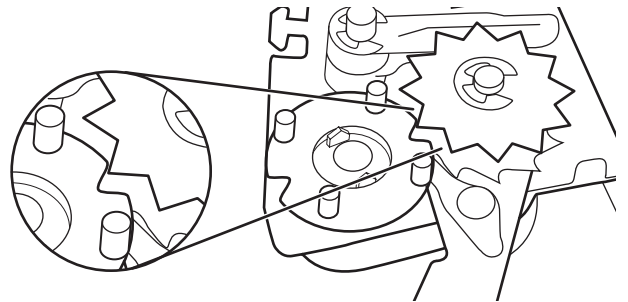
4. Insert a narrow, flat-blade screwdriver under the timing cam near the clock shaft. Gently lift cam straight up and off shaft, making sure that the V-shaped notch clears the ratchet tooth.



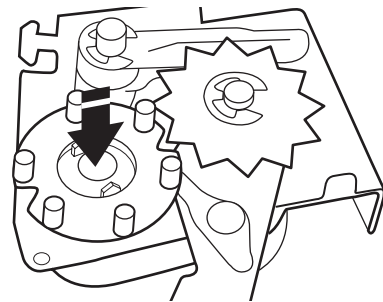
5. Place new cam (hub side down) over clock shaft. Line up flat side of shaft with flat side of cam hole. Check that drive lug is in place.



6. Turn cam until V-shaped notch lines up with ratchet tooth.



7. Press cam down in place on clock shaft. Make sure that V-shaped notch clears the ratchet tooth.



8. Close and lock the meter case.
9. Plug in dryer or reconnect power.

MAINTENANCE INSTRUCTIONS

- Clean lint screen before and after each cycle.
- Removing accumulated lint:
 - From inside the dryer cabinet:
Lint should be removed every 2 years or more often, depending on dryer usage. Cleaning should be done by a qualified person.
 - From the exhaust vent:
Lint should be removed every 2 years, or more often, depending on dryer usage.
- Keep area around dryer clear and free from combustible materials, gasoline, and other flammable vapors and liquids.
- Keep dryer area clear and free from items that would obstruct the flow of combustion and ventilation air.

If dryer does not operate, check the following:

- Electrical supply is connected.
- Circuit breaker is not tripped or house fuse is not blown.
- Door is closed.
- Controls are set in a running or “on” position.
- START button has been pushed firmly.
- For gas dryers, check that gas supply shut-off valves are set in open position.

IF YOU NEED ASSISTANCE

Contact your authorized Commercial Laundry distributor. To locate your authorized Commercial Laundry distributor, or for web inquiries, visit www.MaytagCommercialLaundry.com.

If you cannot locate your distributor, the Commercial Laundry Support Center will answer any questions about operating or maintaining your dryer not covered in the Installation Instructions.

Just dial **1-800 NO BELTS (1-800-662-3587)** – the call is toll free.

When you call, you will need the dryer model number and serial number. Both numbers can be found on the serial-rating plate located in the dryer door opening.

ELECTRONIC CONTROL SETUP INSTRUCTIONS (PR/PD models)

IMPORTANT

Electrostatic Discharge (ESD) Sensitive Electronics

ESD problems are present everywhere. ESD may damage or weaken the electronic control assembly. The new control assembly may appear to work well after repair is finished, but failure may occur at a later date due to ESD stress.

- Use an anti-static wrist strap. Connect wrist strap to green ground connection point or unpainted metal in the appliance.

-OR-

Touch your finger repeatedly to a green ground connection point or unpainted metal in the appliance.

- Before removing the part from its package, touch the anti-static bag to a green ground connection point or unpainted metal in the appliance.
- Avoid touching electronic parts or terminal contacts; handle electronic control assembly by edges only.
- When repackaging failed electronic control assembly in anti-static bag, observe above instructions.

General User Information

BLANK DISPLAY – This condition indicates the dryer is inoperative. Enter set-up mode to view diagnostic code.

“0 MINUTES” SHOWING IN DISPLAY – This indicates the cycle is complete and the dryer cannot be operated. Coins dropped or debit inputs during this condition will be stored in escrow but cannot be used until normal operation is restored by opening and closing the door. If a door switch has failed, it must be replaced before normal operation can be restored.

COLD START (Initial first use) – Dryer is programmed at the factory as follows:

5 minutes dry time/quarter (coin 1)

\$1.50 dry price (fixed cycle with top off – PD Models)

\$0.00 dry price (fixed cycle – PR Models)

WARM START (after power failure) – A few seconds after power is restored, if a cycle was in progress at the time of the power failure, “RESELECT CYCLE” will flash in the display, indicating a button needs to be pressed to restart dryer.

PRICING – After the door is opened and then closed following the completion of a cycle, the display indicates the cycle price (unless set for free operation). As coins are dropped or debit inputs arrive, the display will change to lead the user through the initiation of a cycle.

There are four (4) types of dryer pricing:

Fixed “Vend” Pricing

A dryer set up for “Fixed Cycle” operation can only accept additional time accumulated by increments equal to the length of a complete dry cycle. A maximum of 99 minutes may be purchased; no additional credit is given for coins dropped with 99 minutes in the display.

Accumulator Pricing

If the price is set to one coin 1, then accumulator pricing is in effect. Cycle time can be purchased one coin at a time (PD models) up to the maximum time of 99 minutes. Stacked PD models will credit all money to a cycle with a single button press while in accumulator pricing.

Fixed Cycle With Top Off Pricing

A dryer set to offer “Top Off” capability will allow time to be added to an existing dry cycle in increments equal to the number of minutes of dry time per quarter (coin 1), up to 99 minutes, regardless of the cost required to start the dryer. No credit is given for coins or debit inputs entered when the control is displaying 99 minutes.

PR Models: In Enhanced Debit Mode, the top off price can be set independently (see VALUE OF COIN 2), and the top off time is calculated according to the following equation:

$$\frac{\text{top off price}}{\text{full cycle price}} = \frac{\text{top off time}}{\text{full cycle length}}$$

Penny increment offset is not applied to top off purchases.

FREE CYCLES – This is established by setting the cycle price to zero. When this happens, “SELECT CYCLE” will appear rather than a cycle price. Any cycle started as a free cycle will automatically terminate when the door is opened.

DEBIT CARD READY – This dryer is debit card ready. It will accept a variety of debit card systems, but does NOT come with a debit card reader. Refer to the debit card reader manufacturer for proper dryer setup. In models converted to a Generation 1 debit card system, debit pulses represent the equivalent of one coin (coin 1).

Display

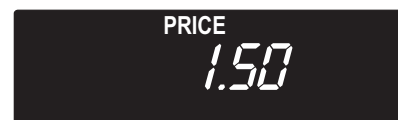
After the dryer has been installed and plugged in, the display will show “0 minutes.”

Single Load Models



Once the unit has been plugged in and the dryer door opened and closed, the display will show the price. In PR models set for free cycles, the display will flash “SELECT CYCLE” (not shown).

Single Load Models



ELECTRONIC CONTROL SETUP INSTRUCTIONS (PR/PD models)

Control Set-up Procedures

IMPORTANT: Read all instructions before operating.

The fabric setting buttons along with the digital display are used to set up the dryer controls. The display can contain 4 numbers and/or letters and a decimal point. These are used to indicate the set-up codes and related code values available for use in programming the appliance.

How to Use the Buttons to Program the Controls

1. The WHITES AND COLORS button is used to adjust the values associated with set-up code. Pressing the button will change the value by increments. Rapid adjustment is possible by holding down the button.
2. The PERM. PRESS button will advance through the set-up codes. Pressing the button will advance to the next available set-up code. Holding down the PERM. PRESS button will automatically advance through the set-up codes at a rate faster than 1 per second.
3. The DELICATES button is used to select or deselect options.

Start Operating Set-up

- Single Load PD Models: Insert service door key, turn, and lift to remove service door.
- Single Load PR Models: Once the debit card reader is installed (according to the reader manufacturer's instructions), the set-up mode can be entered by inserting a manual set-up card (supplied by the reader manufacturer) into the card slot. If manual set-up card is not available, manual set-up mode can be entered by removing connector AA1 on the circuit board.

IMPORTANT: The console must not be opened unless power is first removed from the dryer. To access connector AA1:

- Unplug dryer or disconnect power.
- Open console, disconnect plug on AA1, close console.
- Plug in dryer or reconnect power.

The dryer is now in the set-up mode.

NOTE: This dryer is preset at the factory and does not require any programming. However, if you want to change the settings, follow the "Set-Up Codes" guide below.

- PD units are pre-set at the factory for fixed cycle price with top off.
- PR units are pre-set for free cycle operation so they can be run without readers or coins.

Set-Up Codes

- The PERM. PRESS button will advance you from code to code.
- The WHITE AND COLORS button will change the code value.
- The DELICATES button will select or deselect options.

PR MODELS: The set-up codes are the same as for the PD models except where noted.

The set-up code is indicated by the one or two left-hand characters. The set-up code value is indicated by the two or three right-hand characters.

Code	Explanation
606 REGULAR CYCLE PRICE	
606	Represents the number of quarters (coin 1) needed to start the dryer; may adjust from 0–39 (See VALUE OF COIN 1 b.05). Advance from 0–39 by pressing the WHITES AND COLORS button. Factory default of 6 quarters = \$1.50.
600	PR MODELS: Factory default of 6 00, or 0 quarters. <ul style="list-style-type: none"> • Press the PERM. PRESS button once to advance to next code.
705 REGULAR DRY TIME	
705	PD MODELS: Represents the number of minutes per quarter (coin 1). Factory default of 5 minutes per coin. Example: 6 quarters x 5 minutes = 30 minutes. By pressing the WHITES AND COLORS button, value adjusts from 1–99 minutes. <ul style="list-style-type: none"> • Press the PERM. PRESS button once to advance to next code.
800 TYPE OF DRYER PRICING	
800	Fixed Cycle with Top Off. For detailed description, see "General User Information."
8FC	PR MODELS ONLY: Factory default of FC. Fixed Cycle. For detailed description, see "General User Information." Use the DELICATES button to change this selection. <ul style="list-style-type: none"> • Press the PERM. PRESS button once to advance to next code.
9 00 CYCLE COUNTER OPTION	
This option is either NOT SELECTED "OFF" or SELECTED "ON."	
9 00	Not Selected "OFF"
9 0C	Selected "ON" and not able to be deselected. <ul style="list-style-type: none"> • Press the DELICATES button 3 consecutive times to select "ON." Once selected "ON" it cannot be deselected. • Press the PERM. PRESS button once to advance to next code.

If cycle counter (9 0C) is selected, the following is true:

1 00	Cycles in HUNDREDS	1 <u>02</u> = 200
2 00	Cycles in ONES	2 <u>25</u> = 25

TOTAL CYCLES = 225

This is "VIEW ONLY" and cannot be cleared.

- Press the PERM. PRESS button once to advance to next code.

ELECTRONIC CONTROL SETUP INSTRUCTIONS (PR/PD models)

Code	Explanation
1.00	MONEY COUNTER OPTION This option is either NOT SELECTED "OFF" or SELECTED "ON."
1.00	Not Selected "OFF"
1.0C	Selected "ON." <ul style="list-style-type: none"> • Press the DELICATES button 3 consecutive times to select "ON" and 3 consecutive times to remove (Not Selected "OFF"). Counter resets by going from "OFF" to "ON."
1.C0	Selected "ON" and not able to be deselected. <ul style="list-style-type: none"> • To select "ON" and not able to be deselected, first select "ON," then within 2 seconds, press the DELICATES button twice, the WHITES AND COLORS button once, and exit set-up mode. • Press the PERM. PRESS button once to advance to next code.
2.00	SPECIAL PRICING OPTIONS This option is either NOT SELECTED "OFF" or SELECTED "ON."
2.00	Not Selected "OFF;" and next available code will be A.00
2.SP	Selected "ON." <ul style="list-style-type: none"> • Press the DELICATES button once to change this selection.
If SPECIAL PRICING OPTION is selected, there is access to codes "3.XX" through "9.XX."	
<ul style="list-style-type: none"> • Press the PERM. PRESS button once to advance to next code. 	
If money counter (1.0C or 1.C0) is selected, the following is true:	
3.00	Dollars in HUNDREDS <u>3 01</u> = \$100.00
4.00	Dollars in ONES <u>4 68</u> = \$ 68.00
5.00	Number of CENTS <u>5 75</u> = \$ 00.75
TOTAL = \$168.75	

OPTIONS 3.XX – 9.XX TO USE IF SPECIAL PRICING IS SELECTED

Code	Explanation
3.06	SPECIAL CYCLE PRICE
3.06	Represents the number of quarters (coin 1) to start the dryer; may adjust from 0–39. (See VALUE OF COIN 1 b.05). <ul style="list-style-type: none"> • Advance from 0–39 by pressing the WHITES AND COLORS button. Factory default of 6 quarters = \$1.50.
3.00	PR MODELS: Factory default of 0 quarters. <ul style="list-style-type: none"> • Press the PERM. PRESS button once to advance to next code.
4.05	SPECIAL DRY TIME
4.05	PD MODELS: Represents the number of minutes per quarter (coin 1). <ul style="list-style-type: none"> • Factory default of 5 minutes per coin. Example: 6 quarters x 5 minutes = 30 minutes. • By pressing the WHITES AND COLORS button, the value can be adjusted from 1–99 minutes. • Press the PERM. PRESS button once to advance to next code.
5.00	TIME-OF-DAY CLOCK, MINUTES
5.00	This is the TIME-OF-DAY CLOCK, minute setting; select 0–59 minutes by pressing the WHITES AND COLORS button. <ul style="list-style-type: none"> • Press the PERM. PRESS button once to advance to next code. <p>NOTE: TIME-OF-DAY CLOCK does not keep time when power is interrupted by unplugging or power failures. A back-up battery is required to maintain the correct time of day on the control.</p>
6.00	TIME-OF-DAY CLOCK, HOURS NOTE: Uses military time or 24 hr. clock.
6.00	This is the TIME-OF-DAY CLOCK, hour setting; select 0–23 hours by pressing the WHITES AND COLORS button. <ul style="list-style-type: none"> • Press the PERM. PRESS button once to advance to next code. <p>NOTE: TIME-OF-DAY CLOCK does not keep time when power is interrupted by unplugging or power failures. A back-up battery is required to maintain the correct time of day on the control.</p>

ELECTRONIC CONTROL SETUP INSTRUCTIONS (PR/PD models)

Code	Explanation																								
7.00	SPECIAL PRICE START HOUR NOTE: Uses military time or 24 hr. clock.																								
7.00	This is the start hour; 0–23 hours. <ul style="list-style-type: none"> • Select START HOUR by pressing the WHITES AND COLORS button. • Press the PERM. PRESS button once to advance to next code. 																								
8.00	SPECIAL PRICE STOP HOUR NOTE: Uses military time or 24 hr. clock.																								
8.00	This is the stop hour; 0–23 hours. <ul style="list-style-type: none"> • Select STOP HOUR by pressing the WHITES AND COLORS button. • Press the PERM. PRESS button once to advance to next code. 																								
9.10	SPECIAL PRICE DAY																								
9.10	This represents the day of the week and whether special pricing is selected for that day. A number followed by “0” indicates no selection that particular day (9.10). A number followed by an “S” indicates selected for that day (9.1S). Days of the week (1–7) are selected by pressing the WHITES AND COLORS button. Press the DELICATES button once to select special pricing for each day chosen. When exiting set-up code “9,” the display must show the current day of week: <table border="1" data-bbox="185 1056 784 1339"> <thead> <tr> <th>DISPLAY</th> <th>DAY OF WEEK</th> <th>CODE (selected)</th> </tr> </thead> <tbody> <tr> <td>10</td> <td>Day 1 = Sunday</td> <td>1S</td> </tr> <tr> <td>20</td> <td>Day 2 = Monday</td> <td>2S</td> </tr> <tr> <td>30</td> <td>Day 3 = Tuesday</td> <td>3S</td> </tr> <tr> <td>40</td> <td>Day 4 = Wednesday</td> <td>4S</td> </tr> <tr> <td>50</td> <td>Day 5 = Thursday</td> <td>5S</td> </tr> <tr> <td>60</td> <td>Day 6 = Friday</td> <td>6S</td> </tr> <tr> <td>70</td> <td>Day 7 = Saturday</td> <td>7S</td> </tr> </tbody> </table> <ul style="list-style-type: none"> • Press the PERM. PRESS button once to advance to next code. 	DISPLAY	DAY OF WEEK	CODE (selected)	10	Day 1 = Sunday	1S	20	Day 2 = Monday	2S	30	Day 3 = Tuesday	3S	40	Day 4 = Wednesday	4S	50	Day 5 = Thursday	5S	60	Day 6 = Friday	6S	70	Day 7 = Saturday	7S
DISPLAY	DAY OF WEEK	CODE (selected)																							
10	Day 1 = Sunday	1S																							
20	Day 2 = Monday	2S																							
30	Day 3 = Tuesday	3S																							
40	Day 4 = Wednesday	4S																							
50	Day 5 = Thursday	5S																							
60	Day 6 = Friday	6S																							
70	Day 7 = Saturday	7S																							
A.00	VAULT VIEWING OPTION This option is either NOT SELECTED “OFF” or SELECTED “ON.”																								
A.00	Not Selected “OFF.”																								
A.SC	Selected “ON.” <ul style="list-style-type: none"> • Press the DELICATES button once to change this selection. When selected, the money and/or cycle counts will be viewable (if counter option(s) is selected) when the coin box is removed. • Press the PERM. PRESS button once to advance to next code. 																								

Code	Explanation
b.05	VALUE OF COIN 1
b.05	This represents the value of coin 1 in number of nickels: 05 = \$0.25. <ul style="list-style-type: none"> • By pressing the WHITES AND COLORS button, there is an option of 1–199 nickels. • Press the PERM. PRESS button once to advance to next code.
C.20	VALUE OF COIN 2/VALUE OF DRYER TOP OFF
C.20	This represents the value of coin 2 in number of nickels: 20 = \$1.00. PR MODELS: Factory default of \$0.25. For models using Enhanced Debit, this field represents the value of top off in nickels. <ul style="list-style-type: none"> • By pressing the WHITES AND COLORS button, there is an option of 1–199 nickels. • Press the PERM. PRESS button once to advance to next code.
d.00	COIN SLIDE OPTION This option is either NOT SELECTED “OFF” or SELECTED “ON.”
d.00	Not Selected “OFF.”
d.CS	Selected “ON.” <ul style="list-style-type: none"> • Press the DELICATES button 3 consecutive times for this selection. When coin slide mode is selected, set “b.” equal to value of slide in nickels. Set “606” (REGULAR CYCLE PRICE) and “3.06” (SPECIAL CYCLE PRICE) to number of slide operations. NOTE: If the installer sets up “CS” on a coin drop model, it will not register coins. <ul style="list-style-type: none"> • Press the PERM. PRESS button once to advance to next code.
E.00	ADD COINS OPTION This option is either NOT SELECTED “OFF” or SELECTED “ON.” This option causes the customer display to show the number of coins (coin 1) to enter, rather than the dollars-and-cents amount. The number in the display changes as the coins are accepted.
E.00	Not Selected “OFF.”
E.AC	Selected “ON.” <ul style="list-style-type: none"> • Press the DELICATES button 3 consecutive times to change this selection. PR MODELS ONLY: In enhanced debit mode, this option is not selectable. <ul style="list-style-type: none"> • Press the PERM. PRESS button once to advance to next code.

ELECTRONIC CONTROL SETUP INSTRUCTIONS (PR/PD models)

Code	Explanation
J. Cd PAYMENT MODE (COIN/DEBIT OPTION)	
J. Cd	Both coin and debit selected. Press the DELICATES button 3 consecutive times to change this selection.
J. C_	Coins selected, debit disabled. Press the DELICATES button 3 consecutive times to change this selection.
J._d	Debit Card selected, coins disabled. Press the DELICATES button 3 consecutive times to change this selection.
J. Ed	Enhanced Debit is self-selected when a Generation 2 card reader is installed in the dryer. The Ed option cannot be manually selected or deselected. <ul style="list-style-type: none"> • Press the PERM. PRESS button once to advance to next code.
L. 00 PRICE SUPPRESSION OPTION	
L. 00	Not Selected "OFF"
L. PS	Selected "ON." <ul style="list-style-type: none"> • Press the DELICATES button once to change this selection. • Press the PERM. PRESS button once to advance to next code.
n. CE CLEAR ESCROW OPTION	
n. 00	Not Selected "OFF"
n. CE	Selected "ON." <ul style="list-style-type: none"> • Press the DELICATES button once to change this selection. • Press the PERM. PRESS button once to advance to next code.
U.00 PENNY INCREMENT OFFSET	
U.00	This represents the penny increment price offset used in Generation 2 (Enhanced Debit) PR models. Choose from 0–4 pennies by pressing the WHITES AND COLORS button. <ul style="list-style-type: none"> • Press the PERM. PRESS button once to advance to next code.

END of SET-UP PROCEDURES

EXIT FROM SET-UP MODE

Single-Load PD Models: Reinstall access door.

Single-Load PR Models:

→ Unplug dryer or disconnect power.

→ Open console, reinsert plug into AA1, close console.

→ Plug in dryer or reconnect power.

DIAGNOSTIC GUIDE

If the set-up mode is entered and one of the following has occurred, the appropriate diagnostic code will be in the display.

SINGLE DRYERS

CODE	EXPLANATION
d1	Dryer door sense error on control board or due to power line interference (cycles and price display disabled until diagnostic code is manually cleared).
d4	Dryer motor control circuit error (cycles and customer display disabled until diagnostic code is manually cleared).
d5	Blocked coin 1 or coin drop control circuit failure (coin recognition and customer display disabled while blockage persists).
d9	Voltage detected below 90 VAC for 8 seconds.
d12	Motor sense error on control board or due to power line interference (cycles and customer display disabled until diagnostic code is manually cleared).
d13	Blocked coin 2 or coin drop control circuit failure (coin recognition and price display disabled while blockage persists).
d16	Not receiving communications from installed debit card reader in Enhanced (Generation 2) Debit mode.

SÉCURITÉ DE LA SÈCHEUSE

Votre sécurité et celle des autres est très importante.

Nous donnons de nombreux messages de sécurité importants dans ce manuel et sur votre appareil ménager. Assurez-vous de toujours lire tous les messages de sécurité et de vous y conformer.



Voici le symbole d'alerte de sécurité.

Ce symbole d'alerte de sécurité vous signale les dangers potentiels de décès et de blessures graves à vous et à d'autres.

Tous les messages de sécurité suivront le symbole d'alerte de sécurité et le mot "DANGER" ou "AVERTISSEMENT". Ces mots signifient :

⚠ DANGER

Risque possible de décès ou de blessure grave si vous ne suivez pas immédiatement les instructions.

⚠ AVERTISSEMENT

Risque possible de décès ou de blessure grave si vous ne suivez pas les instructions.

Tous les messages de sécurité vous diront quel est le danger potentiel et vous disent comment réduire le risque de blessure et ce qui peut se produire en cas de non-respect des instructions.



AVERTISSEMENT - "Risque d'incendie"

- L'installation de la sècheuse à linge doit être effectuée par un installateur qualifié.
- Installer la sècheuse conformément aux instructions du fabricant et aux codes locaux.
- Ne pas installer de sècheuse à linge avec des matériaux d'évacuation en plastique souple ou un conduit métallique souple (de type papier d'aluminium). Si un conduit métallique souple est installé, celui-ci doit être d'un type spécifique identifié par le fabricant de l'appareil et convenir à une utilisation avec les sècheuses à linge. Les matériaux d'évacuation souples sont connus pour s'affaisser, être facilement écrasés et bloquer la charpie. Ces situations obstrueront le débit d'air de la sècheuse à linge et augmenteront le risque d'incendie.
- Pour réduire le risque de blessure grave ou de décès, suivre toutes les instructions d'installation.
- Conserver ces instructions.

- On recommande que le propriétaire place les instructions à l'usage du client en un lieu bien visible, au cas où le client percevrait une odeur de gaz. Ces renseignements doivent être obtenus auprès de votre fournisseur en gaz.
- Placer l'avertissement qui suit à un endroit bien visible.

POUR VOTRE SÉCURITÉ

Ne pas remiser ou utiliser de l'essence ou tout autre liquide ou vapeur inflammable à proximité de cet appareil ou de tout autre appareil.

AVERTISSEMENT : Pour votre sécurité, les renseignements dans ce manuel doivent être observés pour réduire au minimum les risques d'incendie ou d'explosion ou pour éviter des dommages au produit, des blessures ou un décès.

- Ne pas entreposer ou utiliser de l'essence ou d'autres vapeurs ou liquides inflammables à proximité de cet appareil ou de tout autre appareil électroménager.
- **QUE FAIRE DANS LE CAS D'UNE ODEUR DE GAZ :**
 - Ne pas tenter d'allumer un appareil.
 - Ne pas toucher à un commutateur électrique; ne pas utiliser le téléphone se trouvant sur les lieux.
 - Évacuer tous les gens de la pièce, de l'édifice ou du quartier.
 - Appeler immédiatement le fournisseur de gaz d'un téléphone voisin. Suivre ses instructions.
 - À défaut de joindre votre fournisseur de gaz, appeler les pompiers.
- L'installation et l'entretien doivent être effectués par un installateur qualifié, une agence de service ou le fournisseur de gaz.

AVERTISSEMENT : L'odorat ne permet pas toujours la détection d'une fuite de gaz.

Les distributeurs de gaz recommandent l'emploi d'un détecteur de gaz (homologation UL ou CSA).

Pour d'autre information, contacter le fournisseur de gaz local.

En cas de détection d'une fuite de gaz, exécuter les instructions "Que faire dans le cas d'une odeur de gaz".

Dans l'État du Massachusetts, les instructions d'installation suivantes sont applicables :

- Les travaux d'installation et réparation doivent être exécutés par un plombier ou tuyauteur qualifié ou licencié, ou par le personnel qualifié d'une entreprise licenciée par l'État du Massachusetts.
- Si une vanne à boisseau sphérique est utilisée, elle doit comporter une manette "T".
- Si un conduit de raccordement flexible est utilisé, sa longueur ne doit pas dépasser 3 pi.

IMPORTANT : L'installation du gaz doit se conformer aux codes locaux, ou en l'absence de codes locaux, au code canadien d'installation B149.1 du gaz naturel ou du propane.

La sècheuse doit être électriquement reliée à la terre conformément aux codes locaux, ou en l'absence de codes locaux, au Code canadien de l'électricité, CSA C22.1.

IMPORTANT : Pour mettre l'ancienne sècheuse au rebut ou pour la remiser, enlever la porte.

SÉCURITÉ DE LA SÈCHEUSE

IMPORTANTES INSTRUCTIONS DE SÉCURITÉ

AVERTISSEMENT : Pour réduire les risques d'incendie, de choc électrique ou de blessures lors de l'utilisation de la sècheuse, suivre les précautions fondamentales dont les suivantes :

- Lire toutes les instructions avant d'utiliser la sècheuse.
- Cette sècheuse est conçue uniquement pour le séchage de vêtements et de textiles ayant été nettoyés à l'eau. Ne pas l'utiliser à toute autre fin.
- **AVERTISSEMENT:** Si l'on détecte une odeur de gaz, ne pas utiliser la sècheuse ou tout autre équipement électrique situé à proximité. Avertir les autres personnes qu'elles doivent évacuer cette zone. Contacter le propriétaire de la sècheuse immédiatement.
- Ne pas placer des articles exposés aux huiles de cuisson dans votre sècheuse. Les articles contaminés par des huiles de cuisson peuvent contribuer à une réaction chimique qui pourrait causer à la charge de s'enflammer.
- Ne pas faire sécher des articles qui ont été nettoyés ou lavés avec de l'essence ou imbibés d'essence, solvants de nettoyage à sec, ou autres substances inflammables ou explosives; ces substances peuvent émettre des vapeurs susceptibles de s'enflammer ou d'exploser.
- Ne pas faire sécher dans la sècheuse des articles nonlavés.
- Ne pas laisser des enfants jouer sur ou à l'intérieur de la sècheuse. Bien surveiller les enfants lorsque la sècheuse est utilisée à proximité d'enfants.
- Avant de retirer la sècheuse pour un dépannage ou pour le jeter, ôter la porte du compartiment de la sècheuse.
- Ne pas tenter d'atteindre un article à l'intérieur de la cuve de la sècheuse lorsque le tambour est en mouvement.
- Ne pas ouvrir la porte lorsque la sècheuse est en marche. Il s'arrêtera.
- Ne pas installer ou remiser cette sècheuse à un endroit où il serait exposée aux intempéries.
- Ne pas modifier les organes de commande.
- Nettoyer le filtre à charpie avant et après chaque charge.
- Ne pas utiliser cette sècheuse si le filtre à peluches n'est pas installé.
- Ne pas réparer ou remplacer un composant quelconque de la sècheuse, ni entreprendre une opération de service, si ce n'est spécifiquement recommandé dans ce manuel ou dans un manuel d'instructions de réparations destiné à l'utilisateur; il est alors essentiel que la personne concernée comprenne ces instructions et soit compétente pour les exécuter.
- Ne pas utiliser un produit assouplissant de tissu ou des produits pour éliminer la statique à moins qu'ils ne soient recommandés par le fabricant du produit assouplissant de tissu ou du produit.
- Ne pas utiliser la chaleur pour faire sécher des articles fabriqués avec du caoutchouc mousse ou de matériaux semblables.
- La dernière partie d'un programme de séchage par culbutage a lieu sans chaleur (programme de refroidissement) pour faire en sorte que les articles soient laissés à une température qui garantit que les articles ne seront pas endommagés.
- **AVERTISSEMENT:** Ne jamais arrêter le séchage par culbutage avant la fin du programme de séchage sauf si tous les articles sont retirés rapidement et répartis pour une dissipation de la chaleur (permet d'éviter le risque de combustion spontanée).
- Ne pas laisser la charpie, la poussière, ou la saleté s'accumuler autour du système d'évacuation ou autour de l'appareil.
- Un nettoyage périodique de l'intérieur de la sècheuse et du conduit d'évacuation doit être effectué par une personne qualifiée.
- Voir la section "Spécifications électriques" pour les instructions de mise à la terre.

CONSERVEZ CES INSTRUCTIONS

Outillage nécessaire :



Clé à tuyau
de 8'' (203 mm)
ou 10'' (254 mm)



Clé à molette de 8'' (203 mm)
ou 10'' (254 mm) (ouverture
jusqu'à 1'' [25 mm])



Tournevis à lame plate



Tournevis Phillips



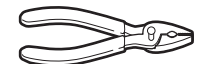
Tournevis isolé ou foret
Torx®† T-20



Clé à douille hexagonale
de 1'' (25 mm)



Clé à douille de 5/16'' (8 mm)



Pince (ouverture
jusqu'à 1 9/16'' [39 mm])



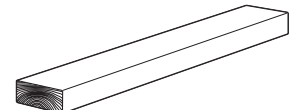
Niveau



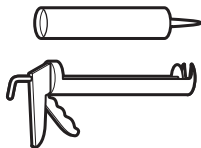
Couteau utilitaire



Tourne-écrou de 1/4'' (6 mm)



Cale de bois de
27'' (686 mm)



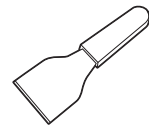
Pistolet à calfeutrage et
composé de calfeutrage
(pour l'installation d'un nouveau
conduit d'évacuation)



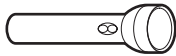
Brides de conduit



Composé d'étanchéité
des tuyauteries résistant au type
de gaz utilisé



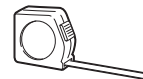
Couteau à mastic



Lampe de poche
(facultative)



Clés plates de 1'' (25 mm)

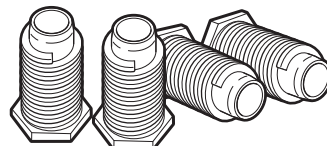


Règle ou mètre ruban

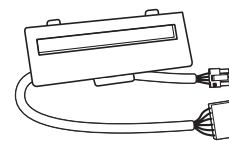
Pièces fournies :



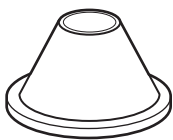
Patins (4)



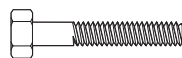
Pieds de la sécheuse (4)



Plaque indicatrice
(modèles PR seulement)



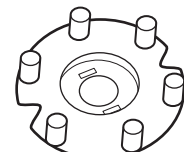
Coin
(modèles PD seulement)



Boulon de 5/16'' -
18 x 2 1/2''
(modèles PD seulement)



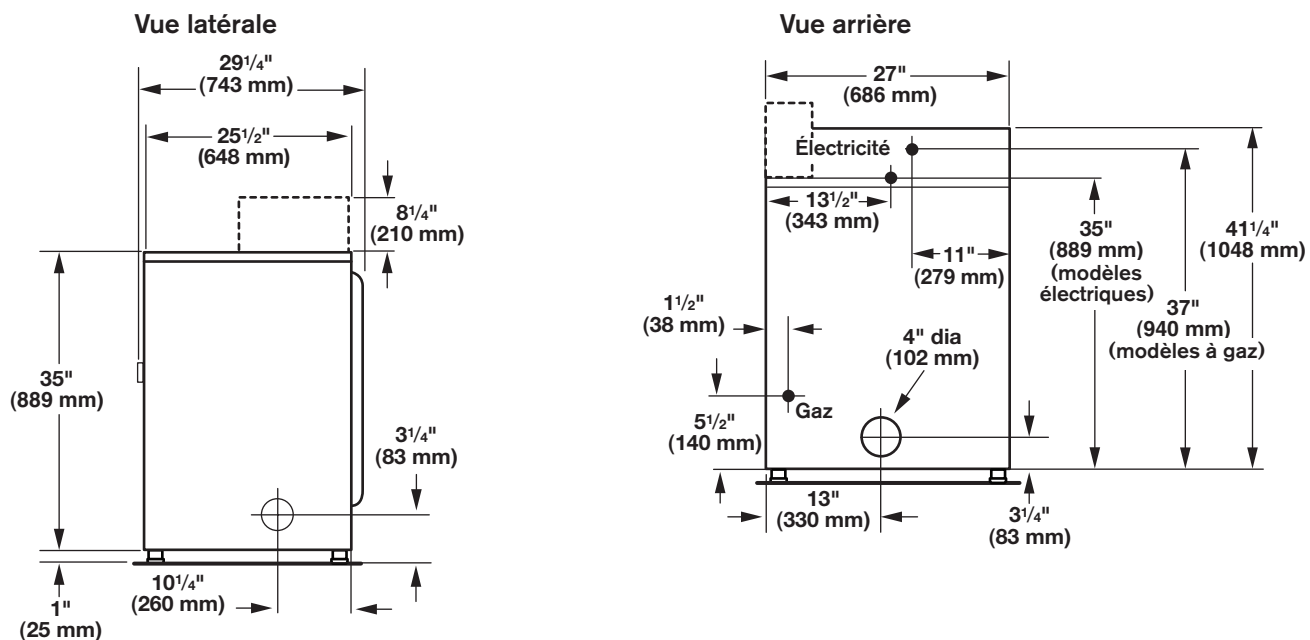
Came de minutage de 60 minutes
à 3 broches
(modèles CS seulement)



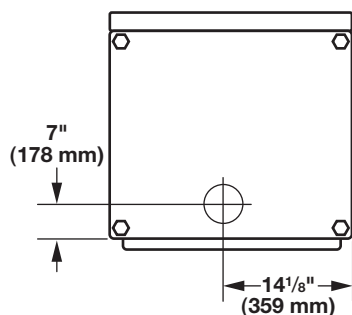
Came de minutage de 30 minutes
à 6 broches
(modèles CS seulement)

DIMENSIONS/DISTANCES DE DÉGAGEMENT

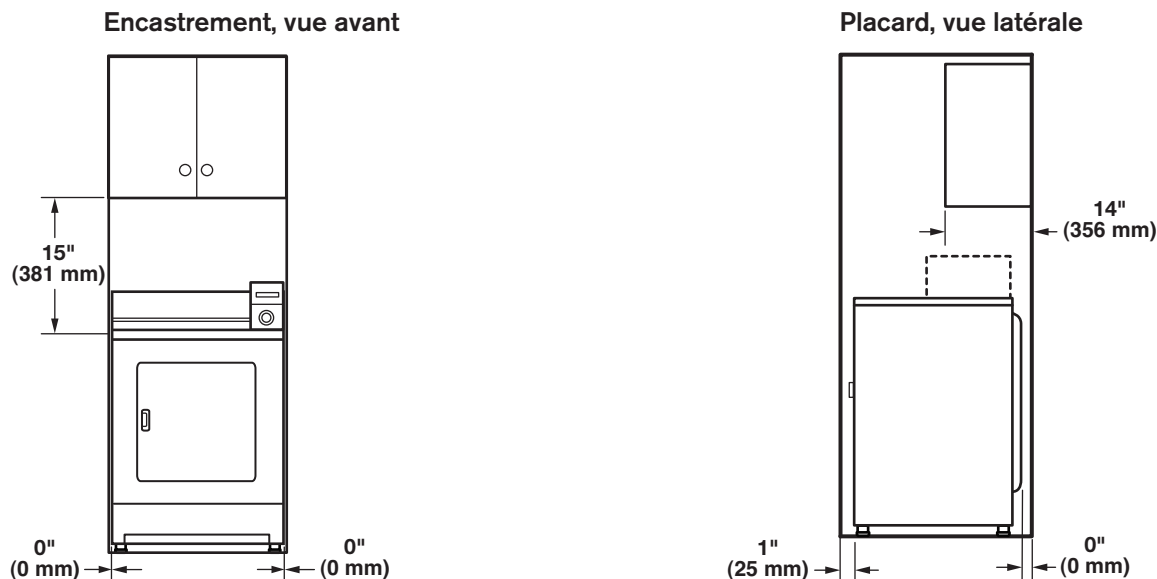
Dimensions



Évacuation par le bas



Distances de dégagement



EXIGENCES D'INSTALLATION POUR LA SÈCHEUSE À GAZ

Exigences de l'emplacement

⚠ AVERTISSEMENT



Risque d'explosion

Garder les matières et les vapeurs inflammables, telle que l'essence, loin de la sècheuse.

Ne pas installer dans un garage.

Le non-respect de ces instructions peut causer un décès, une explosion ou un incendie.

La sècheuse peut être installée dans un sous-sol, une salle de buanderie ou un encastrement.

Il faut aussi prendre en compte les exigences d'emplacement des appareils voisins.

IMPORTANT : Ne pas installer ou remiser la sècheuse dans un endroit où elle sera exposée aux intempéries. C'est à l'utilisateur qu'incombe la responsabilité de réaliser une installation correcte.

Il vous faudra :

- Une prise électrique reliée à la terre située à moins de 6 pi (1,8 m) de la prise du cordon électrique se trouvant à l'arrière de la sècheuse. Voir "Spécifications électriques".
- Un plancher de niveau ayant une pente maximale de 1" (25 mm) sous l'ensemble de la sècheuse. L'installation de la sècheuse sur des surfaces de sol molles, telles que tapis ou surfaces avec sous-couche en mousse n'est pas recommandée.

Distances de dégagement pour l'installation pour la sècheuse à gaz

- L'emplacement doit être assez grand pour permettre d'ouvrir complètement la porte de la sècheuse.
- Prévoir davantage d'espace pour faciliter l'installation et l'entretien. La porte s'ouvre à plus de 180°.
- Un espace supplémentaire peut être requis pour les moulures de porte et de plancher et pour les plinthes.
- Un espace supplémentaire de 1" (25 mm) de tous les côtés de la sècheuse est recommandé pour réduire le transfert du bruit.

Lors de l'installation d'une sècheuse à gaz :

IMPORTANT : Observer les dispositions de tous les codes et règlements en vigueur.

- Vérifier les exigences des codes : Certains codes limitent ou n'autorisent pas l'installation d'une sècheuse dans un garage, un placard ou une chambre à coucher. Communiquer avec l'inspecteur en bâtiments local.
- S'assurer que les rebords inférieurs de la caisse ainsi que les côtés arrière et inférieurs de la sècheuse, sont bien dégagés pour permettre une évacuation adéquate de l'air de combustion. Voir la section "Instructions d'installation dans un encastrement ou un placard" ci-dessous pour connaître les distances de dégagement minimales.

Instructions d'installation dans un encastrement ou un placard

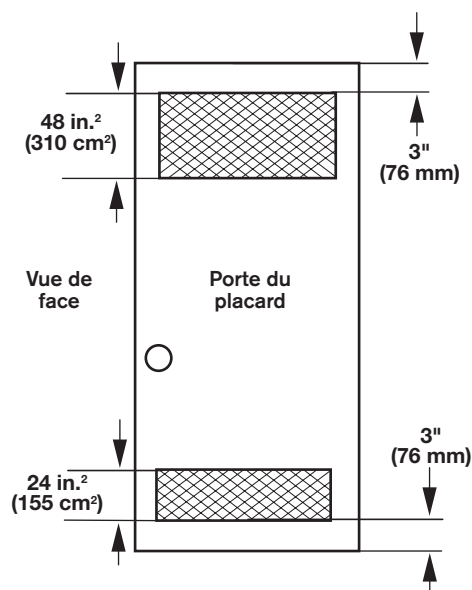
Cette sècheuse peut être installée dans un encastrement ou un placard. Pour les installations dans un encastrement ou un placard, les distances de dégagement minimales sont indiquées sur l'étiquette d'avertissement à l'arrière de la sècheuse ou à la section "Dimensions/Distances de dégagement".

Les dimensions d'installation sont en pouces et constituent le minimum applicable. Un espace supplémentaire peut être nécessaire pour faciliter l'installation, l'entretien et pour observer les codes et règlements locaux.

Si une porte de placard est installée, une ouverture d'évacuation de l'air minimale est nécessaire dans les parties supérieure et inférieure. Les portes à claire-voie offrant des ouvertures équivalentes sont acceptables.

La sècheuse doit être évacuée à l'extérieur.

Aucun autre appareil utilisant un combustible ne doit être installé dans le même placard.



EXIGENCES D'INSTALLATION POUR LA SÈCHEUSE À GAZ

Spécifications électriques

⚠ AVERTISSEMENT



Risque de choc électrique

Brancher sur une prise à 3 alvéoles reliée à la terre.

Ne pas enlever la broche de liaison à la terre.

Ne pas utiliser un adaptateur.

Ne pas utiliser un câble de rallonge.

Le non-respect de ces instructions peut causer un décès, un incendie ou un choc électrique.

IMPORTANT : La sècheuse doit être reliée à la terre conformément aux codes et règlements locaux en vigueur, ou en l'absence de tels codes, avec la dernière édition du National Electrical Code, ANSI/NFPA 70, ou du Canadian Electrical Code, CSA C22.1. Si les codes le permettent et si on utilise un conducteur distinct de liaison à la terre, il est recommandé qu'un électricien qualifié vérifie la qualité de la liaison à la terre.

Pour obtenir un exemplaire des normes des codes ci-dessus, contacter :

National Fire Protection Association
One Batterymarch Park, Quincy, MA 02269

CSA International
8501 East Pleasant Valley Road
Cleveland, Ohio 44131-5575

- Ne pas utiliser une tuyauterie de gaz pour le raccordement à la terre.
- Ne pas installer un fusible dans le conducteur neutre ou le circuit de liaison à la terre.
- Une alimentation de 120 volts, 60 Hz, CA seulement, de 15 ou 20 ampères, protégée par un fusible est requise. On recommande également d'utiliser un fusible ou un disjoncteur temporisé. Il est recommandé de raccorder la sècheuse sur un circuit distinct exclusif à cet appareil.
- Cette sècheuse comporte un cordon d'alimentation électrique à trois broches pour liaison à la terre.
- Pour minimiser le risque de choc électrique, on doit brancher le cordon sur une prise de courant de configuration correspondante, à 3 alvéoles, reliée à la terre et installée conformément aux codes et règlements locaux. Si une prise de courant de configuration correspondante n'est pas disponible, le client a la responsabilité et l'obligation de faire installer par un électricien qualifié une prise de courant correctement reliée à la terre.
- Si les codes le permettent et si l'on utilise un conducteur distinct de liaison à la terre, il est recommandé qu'un électricien qualifié vérifie la qualité de la liaison à la terre.
- En cas de doute quant à la qualité de la liaison à la terre de la sècheuse, consulter un électricien qualifié.

Mise à la terre de la sècheuse à gaz

INSTRUCTIONS DE LIAISON À LA TERRE

- Pour une sècheuse reliée à la terre et connectée par un cordon :

Cette sècheuse doit être reliée à la terre. En cas de mauvais fonctionnement ou de panne, la liaison à la terre réduira le risque de choc électrique en offrant au courant électrique un acheminement d'évacuation de moindre résistance. Cette sècheuse est alimentée par un cordon électrique comportant un conducteur relié à la terre et une fiche de branchement munie d'une broche de liaison à la terre. La fiche doit être branchée sur une prise appropriée qui est bien installée et reliée à la terre conformément à tous les codes et règlements locaux.

- Pour une sècheuse raccordée en permanence : Cette sècheuse doit être raccordée à un système de câblage permanent en métal relié à la terre ou un conducteur relié à la terre doit être en fonction avec les conducteurs de circuit et raccordé à la borne de liaison à la terre ou la borne sur la sècheuse.

AVERTISSEMENT : Le raccordement incorrect de cet appareil au conducteur de liaison à la terre peut susciter un risque de choc électrique. En cas de doute quant à la qualité de liaison à la terre de la sècheuse, consulter un électricien ou un technicien ou un personnel qualifié. Ne pas modifier la fiche de branchement fournie avec la sècheuse; si la fiche ne correspond pas à la configuration de la prise de courant, demander à un électricien qualifié d'installer une prise de courant appropriée.

CONSERVEZ CES INSTRUCTIONS

EXIGENCES D'INSTALLATION POUR LA SÈCHEUSE À GAZ

Alimentation en gaz

AVERTISSEMENT



Risque d'explosion

Utiliser une canalisation neuve d'arrivée de gaz approuvée par CSA International.

Installer un robinet d'arrêt.

Bien serrer chaque organe de connexion de la canalisation de gaz.

En cas de connexion au gaz propane, demander à une personne qualifiée de s'assurer que la pression de gaz ne dépasse pas 330 mm (13 po) de la colonne d'eau.

Par personne qualifiée, on comprend :

**le personnel autorisé de chauffage,
le personnel autorisé d'une compagnie de gaz, et
le personnel d'entretien autorisé.**

Le non-respect de ces instructions peut causer un décès, un explosion ou un incendie.

IMPORTANT : Observer les dispositions de tous les codes et règlements en vigueur.

L'installation doit satisfaire aux critères de tous les codes et règlements locaux. En l'absence de code local, l'installation doit satisfaire aux prescriptions de la norme American National Standard, National Fuel Gas Code ANSI Z223.1/NFPA 54 ou CAN/CSA B149.

Pour obtenir un exemplaire des normes des codes ci-dessus, contacter :

National Fire Protection Association
One Batterymarch Park, Quincy, MA 02269

CSA International
8501 East Pleasant Valley Road
Cleveland, Ohio 44131-5575

La conception de cette sècheuse a été homologuée par CSA International pour une utilisation jusqu'à une altitude de 10 000 pieds (3 048 m) au-dessus du niveau de la mer pour le débit thermique indiqué sur la plaque signalétique. Aucun réglage du brûleur n'est nécessaire lorsque la sècheuse est utilisée à une altitude inférieure ou égale à cette valeur maximale.

Lorsque l'appareil est installé à une altitude supérieure à 10 000 pieds (3 048 m), on doit réduire de 4 % le débit thermique du brûleur indiqué sur la plaque signalétique pour chaque tranche de 1 000 pieds (305 m) d'augmentation de l'altitude. Pour obtenir de l'aide lors de la conversion à d'autres types de gaz et/ou l'installation de l'appareil à une altitude supérieure à 10 000 pieds (3048 m), contacter la société de dépannage la plus proche.

EXIGENCES D'INSTALLATION POUR LA SÉCHEUSE ÉLECTRIQUE

Exigences de l'emplacement

⚠ AVERTISSEMENT



Risque d'explosion

Garder les matières et les vapeurs inflammables, telle que l'essence, loin de la sècheuse.

Ne pas installer dans un garage.

Le non-respect de ces instructions peut causer un décès, une explosion ou un incendie.

La sècheuse peut être installée dans un sous-sol, une salle de buanderie ou un encastrement.

Il faut aussi prendre en compte les exigences d'emplacement des appareils voisins.

IMPORTANT : Ne pas installer ou remiser la sècheuse dans un endroit où elle sera exposée aux intempéries. C'est à l'utilisateur qu'incombe la responsabilité de réaliser une installation correcte.

Il vous faudra :

- Une prise électrique reliée à la terre située à moins de 6 pi (1,8 m) de la prise du cordon électrique se trouvant à l'arrière de la sècheuse. Voir "Spécifications électriques".
- Un plancher de niveau ayant une pente maximale de 1" (25 mm) sous l'ensemble de la sècheuse. L'installation de la sècheuse sur des surfaces de sol molles, telles que tapis ou surfaces avec sous-couche en mousse n'est pas recommandée.

Distances de dégagement pour l'installation pour la sècheuse électrique

- L'emplacement doit être assez grand pour permettre d'ouvrir complètement la porte de la sècheuse.
- Prévoir davantage d'espace pour faciliter l'installation et l'entretien. La porte s'ouvre à plus de 180°.
- Un espace supplémentaire peut être requis pour les moulures de porte et de plancher et pour les plinthes.
- Un espace supplémentaire de 1" (25 mm) de tous les côtés de la sècheuse est recommandé pour réduire le transfert du bruit.

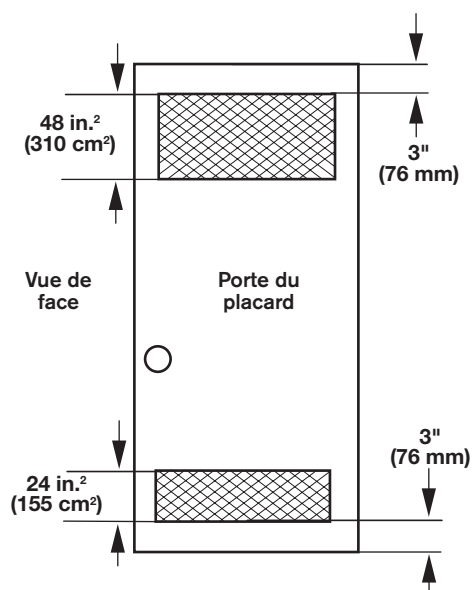
Instructions d'installation dans un encastrement ou un placard

Cette sècheuse peut être installée dans un encastrement ou un placard. Pour les installations dans un encastrement ou un placard, les dimensions minimales de dégagement sont indiquées sur l'étiquette d'avertissement, à l'arrière de la sècheuse ou à la section "Dimensions/Distances de dégagement".

Les dimensions d'installation sont en pouces et constituent le minimum applicable. Un espace supplémentaire peut être nécessaire pour faciliter l'installation, l'entretien et pour observer les codes et règlements locaux.

Si une porte de placard est installée, une ouverture d'évacuation de l'air minimale est nécessaire dans les parties supérieure et inférieure. Les portes à claire-voie offrant des ouvertures équivalentes sont acceptables.

La sècheuse doit être évacuée à l'extérieur.



EXIGENCES D'INSTALLATION POUR LA SÈCHEUSE ÉLECTRIQUE

Spécifications électriques

⚠ AVERTISSEMENT



Risque de choc électrique

Brancher sur une prise à 4 alvéoles reliée à la terre.

Le non-respect de cette instruction peut causer un décès ou un choc électrique.

C'est à l'utilisateur qu'incombe la responsabilité de :

- Communiquer avec un électricien qualifié.
- S'assurer que les connexions électriques sont adéquates et conformes au Code canadien de l'électricité, C22.1 – dernière édition et à tous les codes locaux. Pour obtenir un exemplaire de la norme des codes ci-dessus, contacter : Association canadienne de normalisation, 178 Rexdale Blvd., Toronto, ON M9W 1R3 CANADA.
- Alimenter l'appareil uniquement par un circuit monophasé de 120/240 volts CA seulement, 60 Hz à 4 fils, sur un circuit séparé de 30 ampères, fusionné aux deux extrémités de la ligne. On recommande l'emploi d'un fusible temporisé ou disjoncteur. On recommande également que cet appareil soit alimenté par un circuit indépendant.
- Cette sècheuse est équipée d'un cordon électrique homologué par la CSA International à introduire dans une prise murale standard 14-30R. Le cordon mesure 5 pi (1,52 m). Veiller à ce que la prise murale se trouve à proximité de l'emplacement définitif de la sècheuse.



**Prise murale
à 4 fils
(14-30R)**

- Ne pas utiliser de câble de rallonge.

Si on utilise un cordon d'alimentation de rechange, il est recommandé d'utiliser le cordon d'alimentation de rechange numéro de pièce 9831317. Pour plus d'information, veuillez consulter les numéros de service qui se trouvent à la section "Assistance ou service".

INSTRUCTIONS DE LIAISON À LA TERRE

- Pour une sècheuse reliée à la terre et connectée par un cordon :

Cette sècheuse doit être reliée à la terre. En cas de mauvais fonctionnement ou de panne, la liaison à la terre réduira le risque de choc électrique en offrant au courant électrique un acheminement d'évacuation de moindre résistance. Cette sècheuse est alimentée par un cordon électrique comportant un conducteur relié à la terre et une fiche de branchement munie d'une broche de liaison à la terre. La fiche doit être branchée sur une prise appropriée qui est bien installée et reliée à la terre conformément à tous les codes et règlements locaux.

AVERTISSEMENT : Le raccordement incorrect de cet appareil au conducteur de liaison à la terre peut susciter un risque de choc électrique. En cas de doute quant à la qualité de liaison à la terre de la sècheuse, consulter un électricien ou un technicien ou un personnel qualifié. Ne pas modifier la fiche de branchement fournie avec la sècheuse; si la fiche ne correspond pas à la configuration de la prise de courant, demander à un électricien qualifié d'installer une prise de courant appropriée.

CONSERVEZ CES INSTRUCTIONS

EXIGENCES CONCERNANT L'ÉVACUATION DE LA SÈCHEUSE

⚠ AVERTISSEMENT



Risque d'incendie

Utiliser un conduit d'évacuation en métal lourd.

Ne pas utiliser un conduit d'évacuation en plastique.

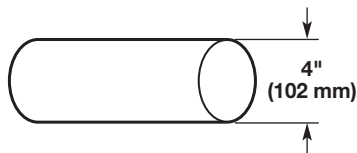
Ne pas utiliser un conduit d'évacuation en feuille de métal.

Le non-respect de ces instructions peut causer un décès ou un incendie.

AVERTISSEMENT : Pour réduire le risque d'incendie, cette sècheuse doit ÉVACUER L'AIR À L'EXTÉRIEUR.

IMPORTANT : Observer les dispositions de tous les codes et règlements en vigueur.

Le conduit d'évacuation de la sècheuse ne doit pas être raccordé à une évacuation de gaz, une cheminée, un mur, un plafond, un grenier, un vide sanitaire ou un vide de construction. Seul un conduit d'évacuation métallique rigide ou souple doit être utilisé pour le système d'évacuation.



Conduit d'évacuation en métal lourd de 4" (102 mm)

- Utiliser uniquement un conduit d'évacuation en métal lourd de 4" (102 mm) et des brides de serrage.
- Ne pas utiliser de conduit de plastique ou de métal très mince.

Conduit métallique rigide :

- Recommandé pour une performance de séchage idéale afin d'éviter tout écrasement ou déformation.

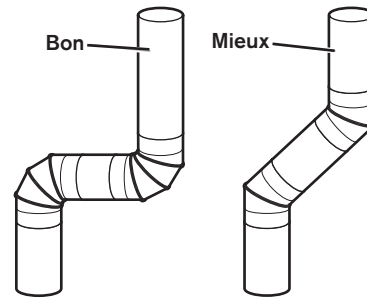
Conduit métallique flexible : (Acceptable uniquement si son accès reste facile pour le nettoyage)

- Doit être entièrement déployé et soutenu à l'emplacement d'installation final de la sècheuse.
- Enlever tout excès de conduit flexible pour éviter tout affaissement et déformation susceptible de réduire la capacité d'évacuation et le rendement.
- Ne pas installer le conduit métallique flexible dans des cavités fermées de mur, plafonds ou planchers.
- La longueur totale ne doit pas dépasser 7³/₄ pi (2,4 m).

REMARQUE : Lors de l'utilisation d'un système d'évacuation existant, nettoyer et éliminer la charpie sur toute la longueur du système, et veiller à ce que le clapet d'évacuation ne soit pas obstrué par de la charpie. Remplacer tout conduit de plastique ou en aluminium par un conduit métallique rigide ou souple. Consulter à nouveau le "Tableau des systèmes d'évacuation" et modifier le système d'évacuation existant au besoin pour obtenir un meilleur séchage.

Coudes :

- Les coudes à 45° permettent une meilleure circulation de l'air que les coudes à 90°.



Brides de serrage :

- Utiliser des brides pour sceller tous les joints.
- Le conduit d'évacuation ne doit pas être raccordé ou fixé avec des vis ou tout autre dispositif de serrage qui se prolongerait à l'intérieur du conduit et retiendrait la charpie. Ne pas utiliser de ruban adhésif pour conduit.



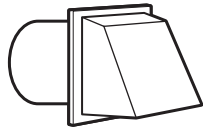
Une mauvaise évacuation de l'air peut causer de l'humidité et une accumulation de charpie à l'intérieur de la maison, ce qui peut provoquer :

- Dommages par l'humidité aux boiserries, meubles, peinture, papier-peint, tapis, etc.
- Problèmes de nettoyage dans la maison et problèmes de santé.

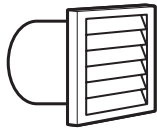
EXIGENCES CONCERNANT L'ÉVACUATION DE LA SÈCHEUSE

Hottes d'extraction

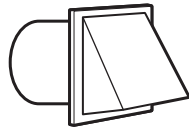
Clapets d'évacuation – Diamètre de 4" (102 mm)



Clapet de type boîte

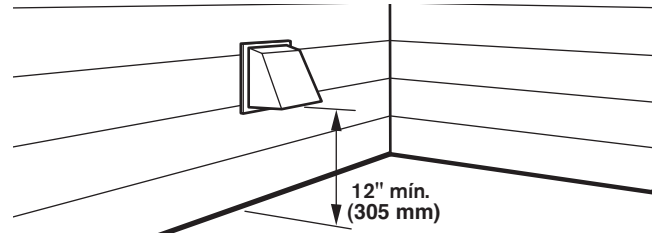


Clapet à persiennes



Clapet incliné

Le clapet de décharge doit se trouver à au moins 12" (305 mm) au-dessus du sol ou de tout autre objet susceptible de se trouver sur le trajet de l'air humide rejeté (par exemple, fleurs, roches, buissons ou neige).



Longueur du système d'évacuation

Longueur maximale du conduit/raccord

La longueur maximale du système d'évacuation dépend du type de conduit utilisé, du nombre de coudes et du type de clapet d'évacuation.

Tableau des systèmes d'évacuation (conduit en métal rigide)

Nbre de changements de direction à 90°	Clapet de type de boîte ou à persiennes	Clapet incliné
0	130 pi (39,6 m)	129 pi (39,3 m)
1	125 pi (38,1 m)	119 pi (36,3 m)
2	115 pi (35,1 m)	109 pi (33,2 m)
3	106 pi (32,3 m)	100 pi (30,5 m)
4	98 pi (29,9 m)	92 pi (28,0 m)

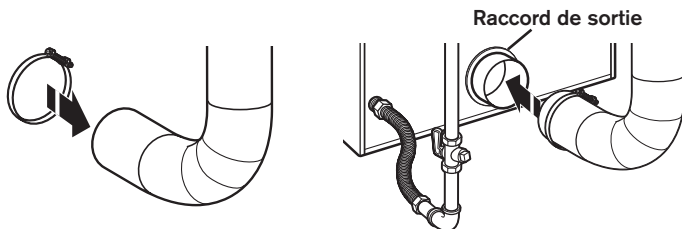
Pour les systèmes d'évacuation autres que ceux indiqués dans le tableau des systèmes d'évacuation, consulter le revendeur de pièces.

Prévoir un espace suffisant pour la combustion et la ventilation de l'air. (Vérifier les dispositions des codes et règlements en vigueur). Voir "Instructions d'installation dans un encastrement ou un placard" dans les sections "Exigences de l'emplacement".

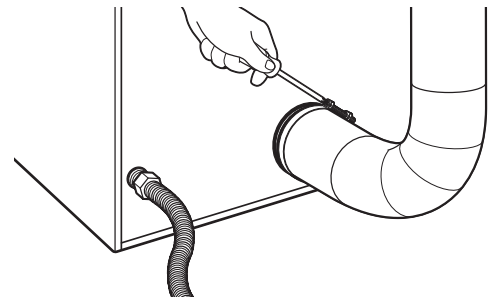
Il est préférable d'utiliser une sortie de hotte de 4" (102 mm). Cependant, on peut utiliser un clapet d'évacuation de 2½" (64 mm). Une sortie de 2½" (64 mm) cause davantage de contre-pression que les autres types d'installation. Pour une installation permanente, un système d'évacuation fixe est requis.

Raccordement du conduit d'évacuation

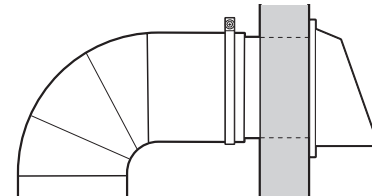
1. Si on utilise le conduit d'évacuation existant, s'assurer qu'il est propre.
2. À l'aide d'une bride de fixation de 4" (102 mm), relier le conduit d'évacuation à la bouche d'évacuation de la sècheuse.



3. Serrer la bride de serrage de tuyau avec un tournevis Phillips.



4. S'assurer que le conduit d'évacuation est fixé au clapet d'évacuation à l'aide d'une bride de fixation de 4" (102 mm).



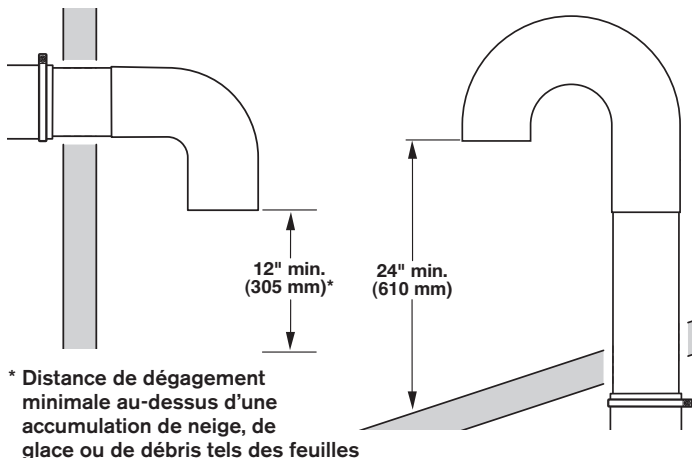
5. Placer la sècheuse à son emplacement final. Ne pas écraser ni pincer le conduit d'évacuation. Vérifier que la sècheuse est d'aplomb.

REMARQUE : Ne pas enlever le raccord de sortie.

EXIGENCES CONCERNANT L'ÉVACUATION DE LA SÈCHEUSE

Si on ne peut pas utiliser de clapet d'évacuation

L'extérieur du conduit d'évacuation principal doit comporter un conduit de déviation orienté vers le bas.



Si le conduit principal monte verticalement à travers le toit et non à travers le mur, installer un coude de déviation à 180° à l'extrémité du conduit d'au moins 2 pi (610 mm) au-dessus de la surface ou du toit.

Le diamètre de l'ouverture dans le toit ou le mur doit être supérieur de 1/2" (13 mm) à celui du conduit. Le conduit doit être centré dans l'ouverture.

Pour de meilleures performances, ne pas installer de grillage à l'extrémité de l'évacuation.

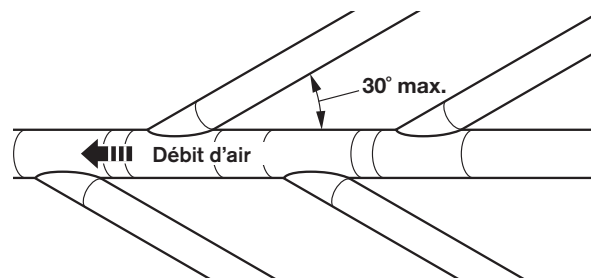
Évacuation pour plusieurs sècheuses

On peut utiliser un conduit principal pour assurer l'évacuation d'un ensemble de sècheuses. La taille du conduit principal doit permettre une évacuation de 200 CFM d'air pour chaque sècheuse. On peut utiliser des filtres à charpie haute capacité correctement conçus dans le conduit principal s'ils sont inspectés et nettoyés régulièrement. La pièce dans laquelle se trouvent les sècheuses doit comporter un système d'air d'appoint au moins égal au CFM de toutes les sècheuses qui se trouvent dans la pièce.

Les clapets anti-retours sont disponibles auprès de votre distributeur et doivent être installés sur la ligne d'évacuation de chaque sècheuse pour éviter que l'air évacué revienne dans les sècheuses et pour maintenir l'évacuation en équilibre avec le conduit de sortie principal. Des ouvertures dégagées pour le retour d'air sont nécessaires.

Même si chaque sècheuse à charge unique doit normalement posséder une ouverture d'air extérieur sans obstacle de 24 po² (154 cm²) (en considérant 1 po² [6,5 cm²] par 1 000 Btu [252 kcal]), des ouvertures d'air d'appoint communes sont également acceptables. Placer les ouvertures communes pour que l'air d'appoint soit réparti uniformément à toutes les sècheuses. Garder à l'esprit que la surface de couverture doit être augmentée de 33 % pour tenir compte de la présence de registres ou de persiennes par-dessus les ouvertures. De plus, les ouvertures d'air d'appoint ne doivent pas être placées à proximité des sorties d'air évacué du bâtiment.

Chaque conduit doit pénétrer dans le conduit principal en direction du mouvement de circulation de l'air. Les évacuations par l'autre côté doivent être placées en quinconce (décalées) pour réduire les interférences avec l'air sortant des autres évacuations en face.



L'inclinaison maximale de chaque conduit qui pénètre dans le conduit principal ne doit pas dépasser 30°.

Veiller à ce que les ouvertures de passage d'air demeurent exemptes de vapeurs de solvants de nettoyage à sec. Les vapeurs sont source de formation de composés acides, dont l'introduction via les modules de chauffage de la sècheuse peut provoquer la détérioration de la sècheuse et du linge en cours de séchage.

L'ouverture principale comporte normalement un couvercle amovible, ce qui permet le nettoyage périodique du circuit d'extraction.

RACCORDEMENT À LA CANALISATION DE GAZ

Raccordement à la canalisation de gaz

⚠ AVERTISSEMENT

Risque du poids excessif

Utiliser deux ou plus de personnes pour déplacer et installer la sècheuse.

Le non-respect de cette instruction peut causer une blessure au dos ou d'autre blessure.

1. Retirer le capuchon rouge de la canalisation de gaz.
2. Raccorder la canalisation de gaz à la sècheuse. Utiliser un composé d'étanchéité compatible avec le type de gaz utilisé. Si un conduit métallique flexible est utilisé, vérifier qu'il n'est pas déformé.

Si nécessaire pour une intervention d'entretien ou de réparation, ouvrir la plinthe. Appuyer sur le dispositif de verrouillage de la plinthe avec un couteau à mastic pour l'ouvrir – le dispositif se trouve sur la partie supérieure centrale de la plinthe. Tirer la plinthe vers le bas pour l'ouvrir. La plinthe comporte une charnière sur sa partie inférieure.

3. Ouvrir le robinet d'arrêt de la canalisation d'arrivée de gaz et vérifier que la canalisation de gaz à la sècheuse est ouverte.
4. Vérifier tous les raccords en les badigeonnant d'une solution de détection des fuites non corrosive approuvée. L'apparition de bulles indique une fuite. Réparer toute fuite éventuelle.

RACCORDEMENT À LA CANALISATION DE GAZ

Type de gaz

Cette sècheuse est équipée pour une alimentation au gaz naturel. Sa conception est homologuée par CSA International pour l'alimentation au gaz de pétrole liquéfié (propane ou butane), avec conversion appropriée. Ne pas entreprendre de convertir la sècheuse pour une utilisation avec un gaz différent de celui indiqué

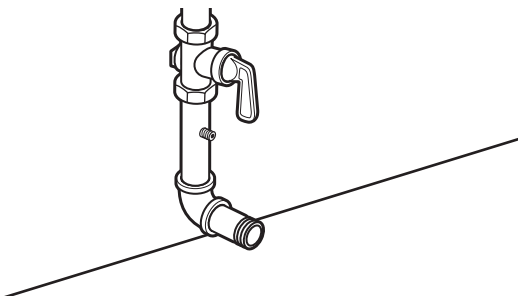
sur la plaque signalétique sans consulter le fournisseur de gaz au préalable. L'opération de conversion doit être exécutée par un technicien de réparation qualifié.

Les numéros de pièce de l'ensemble de conversion de gaz sont indiqués près de la base des brûleurs.

Canalisation d'alimentation en gaz

Méthode recommandée

Installer une canalisation de gaz rigide de 1/2" (13 mm) jusqu'à l'emplacement d'installation de la sècheuse. On doit utiliser un composé d'étanchéité des tuyauteries résistant à l'action du gaz de pétrole liquéfié. Ne pas utiliser de ruban TEFLON[†]. Pour l'alimentation au propane, le diamètre des canalisations ou tuyaux doit être de 1/2" (13 mm) minimum. En général, le fournisseur de gaz propane détermine les matériaux à utiliser et le diamètre approprié pour le circuit.



Test de pressurisation de la canalisation de gaz

Un piquage bouché de 1/8" (3 mm) NPT minimum, accessible pour le contrôle de pression, doit être installé immédiatement en aval du robinet d'arrêt installé pour la sècheuse (comme illustré ci-dessous). Lors de toute épreuve de pressurisation du système à une pression supérieure à 1/2 lb/po² (352 kg/m²), on doit déconnecter la sècheuse de la tuyauterie de l'alimentation en gaz.

Méthode alternative

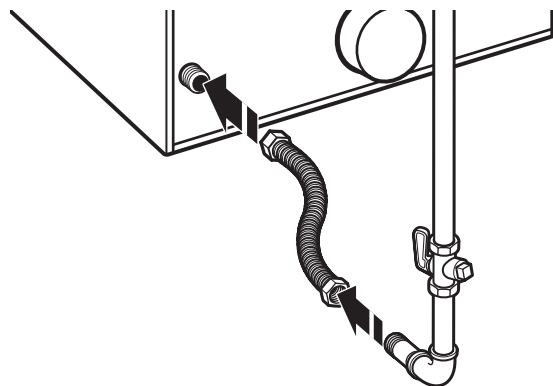
L'alimentation en gaz peut aussi être raccordée à l'aide d'un conduit en cuivre ou en aluminium homologué de 3/8" (10 mm). Si la longueur totale de la canalisation d'alimentation est supérieure à 20 pi (6,1 m), utiliser un conduit de taille supérieure. Pour le gaz naturel, ne pas utiliser de conduits en cuivre. On doit utiliser un composé d'étanchéité des tuyauteries résistant à l'action du gaz d'alimentation.

Robinet d'arrêt nécessaire

La canalisation d'alimentation doit comporter un robinet d'arrêt individuel manuel installé à 6 pi (1,8 m) maximum de la sècheuse conformément au National Fuel Gas Code, ANSI Z223.1. Le robinet doit se trouver dans la même pièce que la sècheuse. La canalisation doit se trouver en un endroit facilement accessible pour les manœuvres d'ouverture/fermeture. Ne pas entraver l'accès au robinet d'arrêt manuel. Au Canada, un robinet d'arrêt individuel doit être installé conformément aux codes d'installation B149.1 CAN/CGA B149.1 et CAN/CGA B149.2.

Raccord métallique flexible pour appareil ménager :

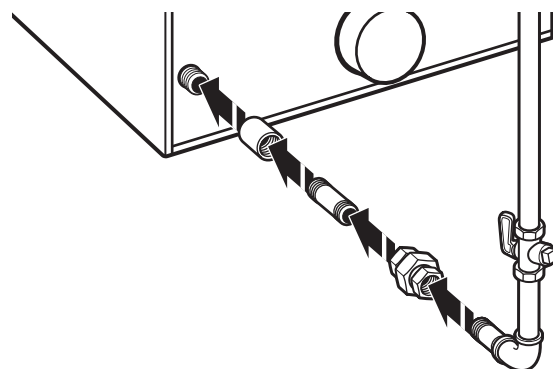
Il est recommandé d'utiliser une canalisation en acier inoxydable souple neuve, conception homologuée par CSA International, pour raccorder la sècheuse à la conduite d'alimentation en gaz. (La canalisation d'arrivée de gaz émergeant au niveau de la partie inférieure arrière de la sècheuse est dotée d'un filetage mâle de 3/8" [10 mm]).



REMARQUE : Ne pas déformer/endommager la canalisation en acier inoxydable flexible lors du déplacement de la sècheuse.

Raccordement par conduit rigide

On doit utiliser un ensemble de raccords pour réaliser un raccordement rigide à la sècheuse.



INSTALLATION DES PIEDS DE NIVELLEMENT, DE LA GLISSIÈRE À MONNAIE ET DE LA CAISSE À MONNAIE

Sur certains modèles : La console renferme le panneau de contrôle électronique. Le panneau est configuré à l'usine pour une durée de séchage de 45 minutes. Consulter la fiche technique située à l'intérieur de la plinthe de la sècheuse pour réinitialiser la durée de séchage ou pour d'autres options.

Le mécanisme de lecteur de carte n'est pas compris, mais il est disponible auprès de vos sources habituelles de l'industrie.

⚠ AVERTISSEMENT

Risque du poids excessif

Utiliser deux ou plus de personnes pour déplacer et installer la sècheuse.

Le non-respect de cette instruction peut causer une blessure au dos ou d'autre blessure.

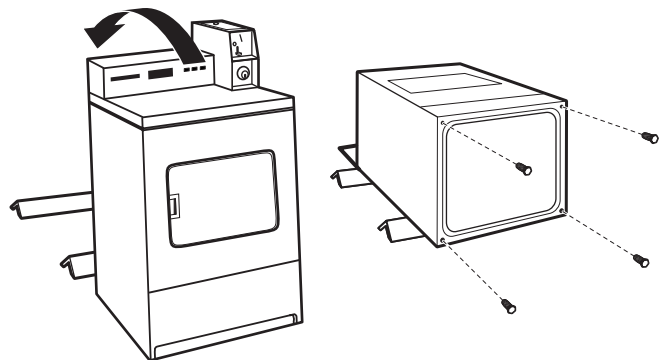
1. Préparation de la sècheuse pour les pieds de nivellement

NOTE : Placer la sècheuse sur une feuille de carton ou un panneau de bois dur avant de la déplacer sur le plancher, afin d'éviter d'endommager le revêtement du sol.

À l'aide de deux personnes ou plus, déplacer la sècheuse à l'emplacement d'installation désiré.

Enlever le ruban adhésif dans les angles avant de la sècheuse. Ouvrir la sècheuse; enlever les brochures et sachets de pièces. Essuyer parfaitement la surface interne du tambour avec un chiffon humide.

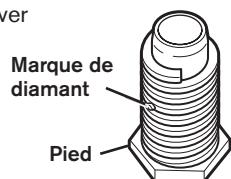
Prendre deux cornières de carton de l'emballage et les placer sur le plancher à l'arrière de la sècheuse. Saisir fermement la sècheuse et la placer doucement en appui sur la face arrière, sur les cornières de carton. Déconnecter la source de courant électrique avant de réaliser les connexions électriques.



(l'aspect peut varier)

2. Vissage des pieds de nivellement

Examiner les pieds de nivellement pour trouver le repère en forme de diamant. Introduire manuellement les pieds dans les trous des pieds. Utiliser une clé à molette ou une clé de 1" (25 mm) pour faire tourner les pieds jusqu'à ce que la marque de repérage (losange) ne soit plus visible. Placer ensuite un cache-pied sur chaque pied.



Pour protéger le plancher, utiliser un grand morceau de carton provenant de l'emballage de la sècheuse. Redresser la sècheuse sur le morceau de carton. Faire glisser la sècheuse jusqu'à ce qu'elle se trouve à proximité de son emplacement final. Laisser suffisamment d'espace pour pouvoir réaliser le raccordement électrique et raccorder le conduit d'évacuation.

Sur certains modèles : Le boîtier de commande inclut la minuterie (accumulation préinstallée) avec bras de manoeuvre ou commutateur de service.

La minuterie, installé à l'usine, commande une période de séchage de 45 minutes (came à 4 broches) après activation par le mécanisme d'insertion des pièces de monnaie. Le sachet de pièces inclut des cames pour des périodes de séchage de 30 minutes (6 broches) et 60 minutes (3 broches).

Le mécanisme de paiement, la serrure et la clé de la plaque de l'ouverture d'accès et la serrure et la clé de réceptacle des pièces ne peuvent pas être inclus; mais on peut les obtenir auprès des sources usuelles de l'industrie.

1. Installation d'une glissière et d'une caisse à monnaie

Ôter la plaque de l'ouverture d'accès du boîtier de commande. Soulever la plaque à l'arrière pour l'enlever. Installer le dispositif d'introduction de pièces (pour l'installation, consulter les instructions d'installation du fabricant).



Pour une sècheuse dotée d'un mécanisme d'insertion à glissière, utiliser l'ensemble d'adaptation fourni avec la sècheuse.

Réinstaller la plaque de l'ouverture d'accès du boîtier de commande. Placer la boîte à pièces avec la serrure et la clé dans l'ouverture d'accès du boîtier de commande.

Retirer la feuille de carton ou le panneau de bois dur placé sous la sècheuse. Relever ou abaisser les pieds de la sècheuse jusqu'à ce que la sècheuse soit d'aplomb.

2. Installation du dispositif de sécurité supplémentaire

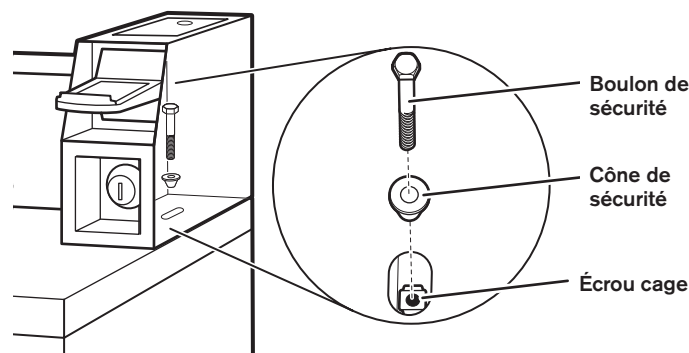
S'assurer que la sècheuse n'est pas alimentée.

Ouvrir et retirer la porte de service.

Placer le cône de sécurité en orientant la petite partie vers le bas, par dessus le trou de forme allongée dans la partie inférieure arrière du boîtier du compteur.

Introduire le boulon de sécurité dans ce cône et l'enfiler manuellement dans l'écrou cage, sous l'ouverture de forme allongée.

Serrer le boulon de sécurité à la main en y appliquant quelques tours avant d'utiliser une clé pour serrer fermement.



NOTE : L'installation du boulon de sécurité offre une sécurité supplémentaire, mais représente aussi un délai supplémentaire pour une réparation éventuelle, lorsqu'il faut retirer le dessus pour réparer la sècheuse.

Le nivellement de la sécheuse permet le bruit et les vibrations excessifs.

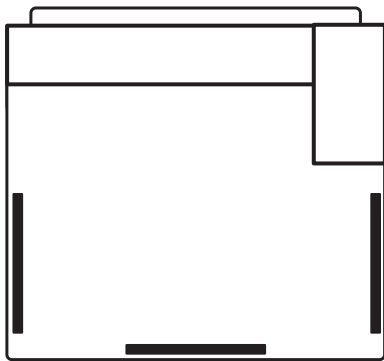
AVERTISSEMENT

Risque du poids excessif

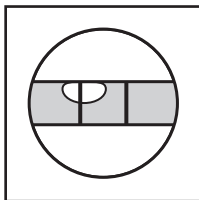
Utiliser deux ou plus de personnes pour déplacer et installer la sécheuse.

Le non-respect de cette instruction peut causer une blessure au dos ou d'autre blessure.

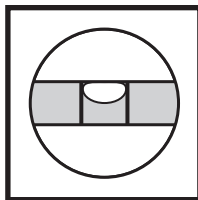
1. Enlever la plaque de carton placée sous la sécheuse. Placer un niveau sur les bords supérieurs de la sécheuse en contrôlant chaque côté et l'avant. Si elle n'est pas d'aplomb, faire basculer la sécheuse et régler les pieds vers le haut ou vers le bas tel qu'indiqué dans l'étape 3, et recommencer si nécessaire.



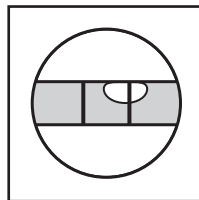
(l'aspect peut varier)



Pas d'aplomb

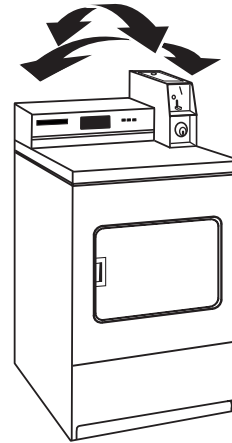


D'APLOMB



Pas d'aplomb

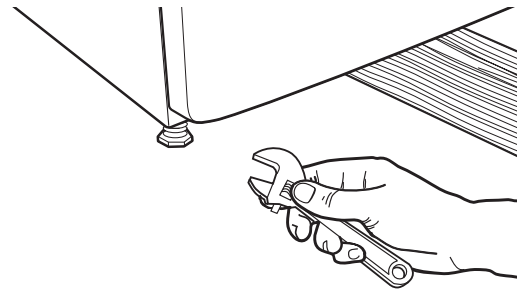
2. Saisir la sécheuse par le dessus et la faire basculer d'avant en arrière tout en s'assurant que les quatre pieds sont en contact ferme avec le sol. Faire de nouveau basculer la sécheuse, transversalement. Si la sécheuse bascule, passer à l'étape 3 et ajuster les pieds de nivellement.



(l'aspect peut varier)

3. Si la sécheuse n'est pas d'aplomb, utiliser une clé plate ou une clé à molette de 1" ou 25 mm pour tourner les pieds de nivellement dans le sens antihoraire pour abaisser la sécheuse ou dans le sens horaire pour les soulever. Contrôler à nouveau l'aplomb de la sécheuse et vérifier que les quatre pieds sont en contact ferme avec le sol. Répéter si nécessaire.

CONSEIL UTILE : Il serait judicieux de soulever l'avant de la sécheuse d'environ 4" (102 mm) à l'aide d'une cale en bois ou d'un objet similaire qui soutiendra le poids de la sécheuse.



ACHEVER L'INSTALLATION

1. Consulter les spécifications électriques. Vérifier que la tension électrique disponible est correcte et que la prise de courant est convenablement reliée à la terre. Voir "Spécifications électriques".
2. Vérifier que toutes les pièces sont maintenant installées. S'il reste une pièce, passer en revue les différentes étapes.
3. Vérifier la présence de tous les outils.
4. Éliminer/recycler tous les matériaux d'emballage.

⚠ AVERTISSEMENT



Risque de choc électrique

Brancher sur une prise à 3 alvéoles reliée à la terre.

Ne pas enlever la broche de liaison à la terre.

Ne pas utiliser un adaptateur.

Ne pas utiliser un câble de rallonge.

Le non-respect de ces instructions peut causer un décès, un incendie ou un choc électrique.

5. Brancher sur une prise reliée à la terre ou connecter la source de courant électrique.

6. Contrôler le bon fonctionnement de la sècheuse :

Modèles avec affichage électronique :

Fermer la porte de la sècheuse. Régler le programme. Le temps de fonctionnement sera accumulé selon le nombre de pièces de monnaie.

Modèles mécaniques :

La minuterie comportera peut-être encore du temps accumulé lors des tests d'usine. Fermer la porte de la sècheuse. Tirer le bouton de réglage de la minuterie vers la droite. (Le temps de fonctionnement sera accumulé selon le nombre de pressions de la glissière à monnaie et le type de came de minutage utilisé.) Appuyer sur le bouton START (mise en marche).

Faire fonctionner la sècheuse pendant au moins cinq minutes – programme de séchage avec chaleur (pas le programme de séchage à l'air). La sècheuse s'arrêtera à l'expiration de la période ainsi déterminée. Assurer-vous que la sècheuse s'éteint.

REMARQUE : Il faut que la porte soit fermée pour que la sècheuse puisse fonctionner. La sècheuse s'arrête dès l'ouverture de la porte, mais la minuterie continue de fonctionner. Pour remettre la sècheuse en marche, fermer la porte et appuyer sur le bouton START (modèles mécaniques seulement).

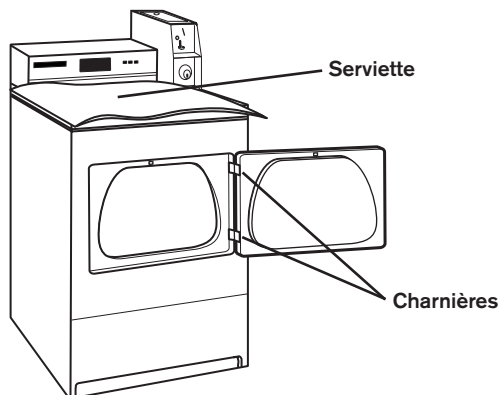
7. Ouvrir la porte de la sècheuse. Vérifier que l'intérieur de la sècheuse est chaud. Si le brûleur ne s'allume pas et qu'on ne ressent pas de chaleur à l'intérieur de la sècheuse, éteindre la sècheuse pendant cinq minutes. Vérifier que toutes les manettes des vannes d'alimentation sont en position ouverte ("ON") et que le cordon électrique est branché. Répéter le test de 5 minutes décrit ci-dessus.
8. Si le temps de séchage est trop long, s'assurer que le filtre à charpie est propre, et vérifier qu'il n'y a aucun obstacle au débit d'air du circuit d'évacuation de la sècheuse.
9. Démarrer à nouveau la sècheuse et la laisser exécuter le programme de séchage avec chaleur (pas le programme de séchage à l'air) pour vérifier qu'elle fonctionne correctement.

INVERSION DU SENS D'OUVERTURE DE LA PORTE (FACULTATIF)

Le sens d'ouverture de la porte peut être changé du côté droit au côté gauche, si désiré.

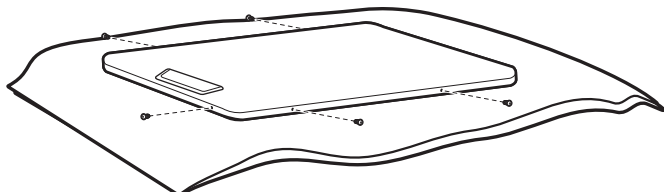
Retirer l'assemblée de porte

1. Placer une serviette sur le dessus de la sècheuse ou sur la surface de travail pour protéger sa surface.
2. Ouvrir la porte de la sècheuse. Ôter les vis inférieures du côté charnière de la caisse. Desserrer (ne pas retirer) les vis supérieures du côté charnière de la caisse.

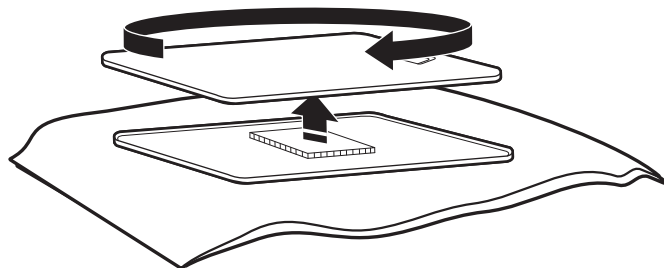


(l'aspect peut varier)

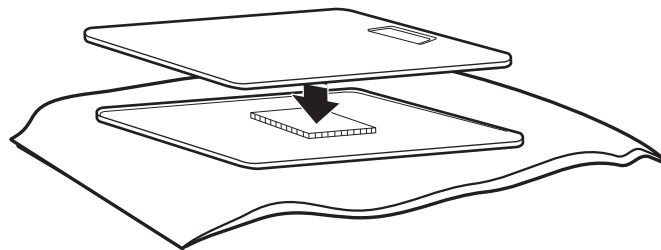
3. Soulever la porte jusqu'à ce que les vis supérieures de la caisse se trouvent dans la partie large de l'encoche de la charnière. Tirer la porte vers l'avant pour la dégager des vis. Placer la porte (côté poignée vers le haut) sur la serviette. Retirer les vis de la charnière supérieure de la caisse.
4. Retirer les vis fixant les charnières à la porte.
5. Retirer les vis de chaque côté de la porte (5 vis).



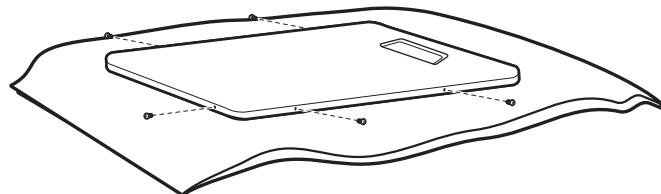
6. Tout en maintenant la porte sur une serviette et sur la sècheuse, saisir les côtés de la porte externe et soulever doucement pour la séparer de la porte interne (ne pas les séparer en forçant). Ne pas tirer sur le joint ou le loquet en plastique de la porte.



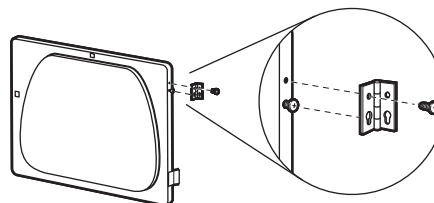
7. Veiller à maintenir la cale d'espacement en carton centrée entre les portes. Fixer à nouveau le panneau externe de porte à la porte interne de façon à ce que la poignée se trouve du côté où les vis viennent d'être retirées.



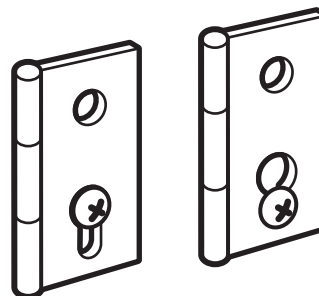
8. Fixer à nouveau les vis de chaque côté de la porte (5 vis).



9. Fixer les charnières de porte à la porte de la sècheuse de façon à ce que le trou le plus gros se trouve au fond de la charnière et que l'axe de la charnière soit orienté vers l'avant de la porte.



10. Ôter les 4 vis fixant les 2 bouchons d'obturation du côté de la poignée. Fixer les bouchons d'obturation au côté opposé à l'aide des mêmes 4 vis.
11. Insérer les vis dans les trous inférieurs du côté gauche de la caisse. Serrer les vis à moitié. Positionner la porte de façon à ce que le côté large de l'encoche de la charnière de porte se trouve au-dessus des vis. Faire glisser la porte vers le haut de façon à ce que les vis se trouvent au fond des encoches. Resserrer les vis. Insérer les vis supérieures dans les charnières et serrer.



12. Fermer la porte et vérifier que la gâche de la porte est alignée avec le loquet. Au besoin, faire glisser le loquet de la porte vers la gauche ou vers la droite à l'intérieur de l'encoche pour régler l'alignement.

INSTALLATION D'UNE CAME DE MINUTAGE DE 30 OU 60 MINUTES (sur certains modèles)

⚠ AVERTISSEMENT



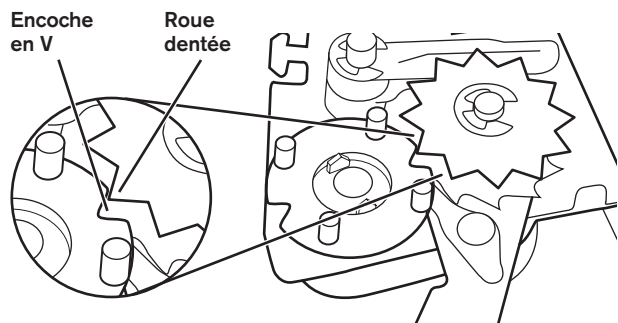
Risque de choc électrique

Déconnecter la source de courant électrique avant d'effectuer des modifications sur la came.

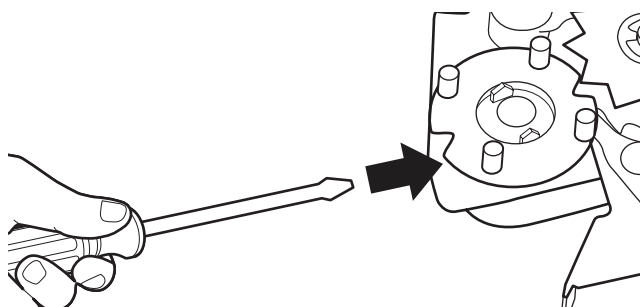
Le non-respect de ces instructions peut entraîner un décès ou un choc électrique.

Modèles avec la glissière à monnaie : Pour installer une came de minutage de 30 ou 60 minutes (fournie avec la sècheuse), procéder comme suit:

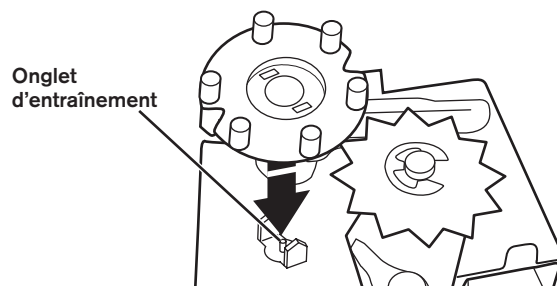
1. Débrancher la sècheuse ou déconnecter la source de courant électrique.
2. Déverrouiller le boîtier de commande.
3. Faire tourner la came manuellement pour aligner l'encoche en V sous la dent de la roue dentée.



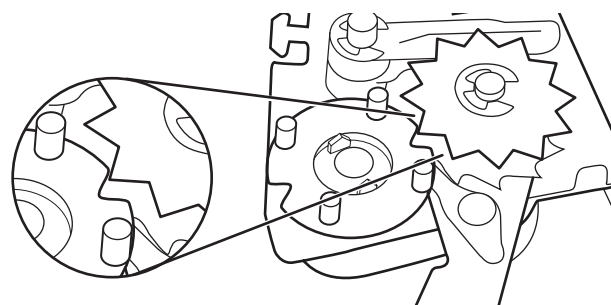
4. Insérer un tournevis à lame plate étroite sous la came de minutage, près de l'axe. Soulever doucement la came verticalement pour la séparer de l'axe; veiller à ce que l'encoche en V laisse passer la dent de la roue dentée.



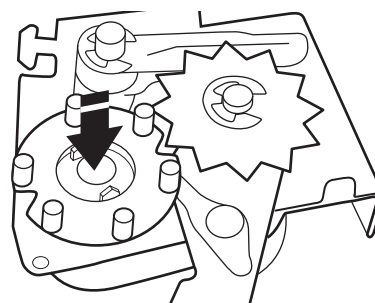
5. Placer la nouvelle came (moyeu vers le bas) sur l'axe. Aligner le méplat de l'axe avec le méplat du trou de la came. Veiller à mettre en place l'onglet d'entraînement.



6. Faire tourner la came pour aligner l'encoche en V sous la dent de la roue dentée.



7. Appuyer sur la came pour la mettre en place sur l'axe du moteur; veiller à ce que l'encoche en V laisse passer la dent de la roue dentée.



8. Fermer et verrouiller le boîtier de commande.
9. Brancher la sècheuse ou reconnecter la source de courant électrique.

INSTRUCTIONS D'ENTRETIEN

- Nettoyer le filtre à charpie avant ou après chaque programme.
- Comment enlever la charpie accumulée :
À l'intérieur de la caisse de la sècheuse :
Il faut retirer la charpie accumulée dans le conduit d'évacuation tous les 2 ans ou plus souvent, selon l'utilisation de la sècheuse. Le nettoyage doit être effectué par une personne qualifiée.
De l'intérieur du conduit d'évacuation :
Retirer la charpie tous les 2 ans, ou plus souvent, selon l'utilisation de la sècheuse.
- Dégager l'espace autour de la sècheuse; aucune matière combustible, essence ou autres vapeurs ou liquides inflammables ne doit s'y trouver.
- Dégager l'emplacement de la sècheuse de façon à ce qu'il soit libre de tout élément susceptible d'obstruer le débit d'air de combustion et de ventilation.

Si la sècheuse ne fonctionne pas, contrôler ce qui suit :

- La prise de courant est correctement alimentée.
- Le disjoncteur ne s'est pas déclenché et aucun fusible n'est grillé.
- La porte est fermée.
- Les boutons de commande sélectionnent une configuration de fonctionnement.
- Le bouton START (mise en marche) a été enfoncé fermement.
- Pour une sècheuse à gaz, vérifier que les robinets de la canalisation de gaz sont ouverts.

SI VOUS AVEZ BESOIN D'ASSISTANCE

Contactez le revendeur autorisé d'appareils de buanderie à usage commercial. Pour localiser votre revendeur autorisé d'appareils de buanderie à usage commercial ou pour toute question via internet, consultez www.MaytagCommercialLaundry.com.

Si vous ne parvenez pas à localiser un revendeur, le centre d'aide pour les appareils de buanderie à usage commercial répond à toute question qui n'aurait pas été abordée dans les Instructions d'installation au sujet du fonctionnement ou de l'entretien de la sècheuse.

Il suffit de composer le **1-800 NO BELTS (1-800-662-3587)** – l'appel est gratuit.

Lors de votre appel, vous aurez besoin du numéro de modèle et de série de la sècheuse. Ces deux numéros figurent sur la plaque signalétique située dans l'encadrement de la porte de la sècheuse.

INSTRUCTIONS DE RÉGLAGE DU TABLEAU DE COMMANDE ÉLECTRONIQUE (modèles PR/PD)

IMPORTANT

Circuits électroniques sensibles aux décharges électrostatiques

Le risque de décharge électrostatique est permanent. Une décharge électrostatique peut détruire ou détériorer les circuits électroniques de la sècheuse. La nouvelle carte peut sembler fonctionner correctement après la réparation, mais une décharge électrostatique peut lui avoir fait subir des contraintes qui provoqueront une défaillance plus tard.

- Utiliser un bracelet de décharge électrostatique. Connecter le bracelet de décharge électrostatique au point de connexion vert relié à la terre ou sur une partie de métal non peint à l'intérieur de l'appareil.

-OU-

Toucher plusieurs fois de suite avec le doigt un point vert de raccordement à la terre ou une surface métallique non peinte à l'intérieur de l'appareil.

- Avant de retirer la pièce de son emballage, placer le sachet antistatique en contact avec un point vert de raccordement à la terre ou une surface métallique non peinte à l'intérieur de l'appareil.
- Éviter de toucher les composants électroniques ou les broches de contact ; manipuler les circuits électroniques de la machine uniquement par les bords.
- Lors du réemballage des circuits électroniques de la sècheuse défaillante dans le sachet antistatique, observer les instructions ci-dessus.

Il existe quatre (4) types de tarif de la sècheuse :

Tarif de vente fixe

Un paramétrage de la sècheuse pour un fonctionnement en programme fixe peut accepter uniquement les durées supplémentaires accumulées par paliers égaux à la durée d'un programme de séchage complet. Un maximum de 99 minutes peut être acheté ; aucun crédit supplémentaire n'est accordé pour les pièces insérées lorsque 99 minutes est affiché.

Tarif par accumulation

Si le prix est défini sur une pièce 1, alors le tarif par accumulation est en vigueur. La durée du programme peut être augmentée avec une pièce à la fois (modèles PD) jusqu'à une durée maximale de 99 minutes. En tarif par accumulation, les modèles PD empilables créditent tout l'argent sur un programme en appuyant une fois sur un bouton.

Programme fixe avec tarif d'appoint

Une sècheuse réglée pour proposer une fonctionnalité "Top Off" (appoint) permet d'ajouter une durée à un programme de séchage existant par paliers égaux au nombre de minutes de durée de séchage par pièce de 0,25 \$ (pièce 1), jusqu'à 99 minutes, quel que soit le coût nécessaire pour mettre en marche la sècheuse. Aucun crédit n'est accordé pour les pièces insérées ou les apports par carte de débit lorsque l'affichage indique 99 minutes.

Modèles PR : En mode débit amélioré, le prix d'appoint peut être réglé indépendamment (voir VALEUR DE LA PIÈCE 2), et la durée de l'appoint est calculé en fonction de l'équation suivante :

$$\frac{\text{prix de l'appoint}}{\text{prix du programme complet}} = \frac{\text{Durée de l'appoint}}{\text{durée du programme complet}}$$

La compensation par incréments en centièmes ne s'applique pas aux achats d'appoint.

PROGRAMMES GRATUITS – Cette fonction est établie en réglant le prix du programme sur zéro. Dans ce cas, "SELECT CYCLE" (sélectionner programme) s'affiche à la place du prix du programme. Tout programme commencé comme programme gratuit prend fin automatiquement lors de l'ouverture de la porte.

COMPATIBLE CARTE DE DÉBIT – Cette sècheuse est compatible pour avec les lecteurs de carte de débit. Elle accepte divers systèmes de cartes de débit, mais est livrée SANS lecteur de carte de débit. Consulter le fabricant du lecteur de carte de débit pour une installation correcte avec la sècheuse. Dans les modèles convertis en un système à carte de débit de 1^e génération, les impulsions de débit représentent l'équivalent d'une pièce (pièce 1).

Informations générales d'utilisation

AFFICHAGE VIDE – Cette situation indique que la sècheuse ne fonctionne pas. Entrer au mode de réglage pour consulter le code de diagnostic.

"0 MINUTES" INDIQUÉ SUR L'AFFICHAGE – Cette mention indique que le programme est terminé et que la sècheuse ne peut pas être remise en marche. Les pièces introduites ou le débit par carte engagé pendant cette phase sont stockées en avoir, mais ne sont pas utilisables tant que le fonctionnement normal n'est pas rétabli par l'ouverture et la fermeture de la porte. En cas de défaillance du contacteur d'une porte, le contacteur doit être remplacé avant le rétablissement d'un fonctionnement normal.

DÉMARRAGE À FROID (première utilisation) – La sècheuse est programmée en usine de la manière suivante :

Durée de séchage de 5 minutes/pièce de 25 cents (pièce 1).

Prix du séchage 1,50 \$ (programme fixe avec durée supplémentaire – Modèles PD).

Prix du séchage 0,00 \$ (programme fixe – Modèles PR)

DÉMARRAGE À CHAUD (après coupure d'électricité) –

Quelques secondes après le rétablissement de l'alimentation, si un programme était en cours au moment de la coupure, "RESELECT CYCLE" (resélectionner programme) clignote sur l'affichage, indiquant qu'il faut appuyer sur un bouton pour redémarrer la sècheuse.

TARIFS – Une fois la porte ouverte, puis fermée après la fin de programme, l'affichage indique le prix du programme (à moins d'un réglage pour un fonctionnement gratuit). Après l'insertion de pièces ou un débit de la carte de débit, l'affichage change pour guider l'utilisateur dans le lancement d'un programme.

INSTRUCTIONS DE RÉGLAGE DU TABLEAU DE COMMANDE ÉLECTRONIQUE (modèles PR/PD)

Affichage

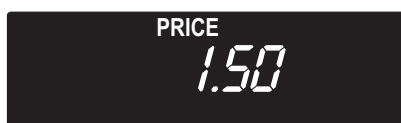
Une fois la sécheuse installée et branchée, l'affichage indique "0 minutes".

Modèles à une seule charge



Une fois la sécheuse branchée et sa porte ouverte puis fermée, l'affichage indique le prix. Sur les modèles PR réglés sur des programmes gratuits, l'affichage indique "SELECT CYCLE" (sélectionner programme) en clignotant (non illustré).

Modèles à une seule charge



Procédures de paramétrage des commandes

IMPORTANT : Lire toutes les instructions avant la mise en marche.

Les boutons de réglage du tissu, associés à l'affichage numérique, servent à régler les commandes de la sécheuse. L'affichage peut contenir 4 chiffres et/ou lettres et un point décimal. Il indique les codes de paramétrage et les valeurs correspondantes pour la programmation de l'appareil.

Utilisation des boutons pour la programmation des commandes

1. Le bouton WHITES AND COLORS (blanc et couleur) sert à régler les valeurs associées aux codes de paramétrage. En appuyant sur le bouton, la valeur change par paliers. Un réglage rapide possible en maintenant le bouton enfoncé.
2. Le bouton PERM. PRESS (pressage permanent) fait défiler les codes de paramétrage. En appuyant sur le bouton avancement au code de paramétrage suivant. Maintenir le bouton PERM. PRESS (pressage permanent) enfoncé pour faire défiler automatiquement les codes de paramétrage à une vitesse supérieure à 1 par seconde.
3. Le bouton DELICATES (articles délicats) sert à sélectionner ou désélectionner les options.

Paramétrage en début d'exploitation

- Modèles PD à une seule charge : insérer la clé de service dans la porte, la tourner et la soulever pour retirer la porte de service.
- Modèles PR à une seule charge : une fois le lecteur de carte de débit installé (conformément aux instructions du fabricant du lecteur), on peut entrer au mode de paramétrage en insérant une carte de paramétrage manuelle (fournie par le fabricant du lecteur) dans la fente d'insertion de carte. Si l'on ne dispose pas de carte de paramétrage manuelle, le mode de paramétrage manuel est accessible en retirant le connecteur AA1 sur la carte de circuits.

IMPORTANT : Ne pas ouvrir la console avant d'avoir déconnecté la sécheuse de toute source d'énergie. Pour accéder au connecteur AA1 :

- Débrancher la sécheuse ou déconnecter la source de courant électrique.
- Ouvrir la console, débrancher le connecteur AA1, refermer la console.
- Brancher la sécheuse ou reconnecter la source de courant électrique.

La sécheuse est maintenant au mode de configuration/paramétrage.

REMARQUE : Cette sécheuse est pré-réglée en usine et ne nécessite aucune programmation. Toutefois, pour modifier les paramètres, suivre le guide "Codes de paramétrage" ci-dessous.

- Les modèles PD sont pré-réglés en usine avec prix de programme fixe avec appoint.
- Les modèles PR sont pré-configurés à l'usine pour un mode de fonctionnement gratuit, de sorte qu'il est possible de les faire fonctionner sans lecteur ni pièce.

Code de paramétrage

- Le bouton PERM. PRESS (pressage permanent) permet de progresser d'un code au suivant.
- Le bouton WHITE AND COLORS (blanc et couleurs) change la valeur du code.
- Le bouton DELICATES (articles délicats) sélectionne les options ou les annule.

POUR LES MODÈLES PR : les codes de paramétrage sont les mêmes que pour les modèles PD, sauf indication contraire.

Le code de paramétrage est indiqué par le ou les deux caractères situés à gauche. La valeur du code de paramétrage est indiquée par les deux ou trois caractères situés à droite.

Code	Explication
606	PRIX DU PROGRAMME NORMAL
606	Représente le nombre de pièces de 0,25 \$ (pièce 1) nécessaires pour mettre en marche la sécheuse; réglable de 0 à 39 (voir VALEUR DE LA PIÈCE 1 b.05). Avancer de 0 à 39 en appuyant sur le bouton WHITES AND COLORS (blanc et couleur). Valeur par défaut définie en usine sur 6 pièces de 0,25 \$ = 1,50 \$.
600	MODÈLES PR : Valeur par défaut définie en usine sur 6 00, ou 0 pièce de 0,25 \$. <ul style="list-style-type: none">• Appuyer une fois sur le bouton PERM. PRESS (pressage permanent) pour passer au code suivant.

INSTRUCTIONS DE RÉGLAGE DU TABLEAU DE COMMANDE ÉLECTRONIQUE (modèles PR/PD)

Code	Explication
705	DURÉE DE SÉCHAGE NORMAL
705	MODÈLES PD : Représente le nombre de minutes par pièce de 0,25 \$ (pièce 1). Le réglage par défaut en usine est de 5 minutes par pièce. Par exemple : 6 pièces de 0,25 \$ x 5 minutes = 30 minutes. En appuyant sur le bouton WHITES AND COLORS (blanc et couleur), régler la valeur entre 1 et 99 minutes.
745	• Appuyer une fois sur le bouton PERM. PRESS (pressage permanent) pour passer au code suivant.
800	TYPE DE TARIF DE LA SÈCHEUSE
800	Programme fixe avec appoint. Pour une description détaillée, consulter les "Informations générales d'utilisation".
8FC	MODÈLES PR UNIQUEMENT : Valeur par défaut définie en usine sur FC (programme fixe). Pour une description détaillée, consulter les "Informations générales d'utilisation". Appuyer sur le bouton DELICATES (articles délicats) pour changer cette valeur. • Appuyer une fois sur le bouton PERM. PRESS (pressage permanent) pour passer au code suivant.
9 00	OPTION DE COMPTAGE DES PROGRAMMES Cette option est soit non sélectionnée ("OFF"), soit sélectionnée ("ON").
9 00	Non sélectionnée : "OFF"
9 0C	Sélectionnée : "ON" ; ne peut pas être désélectionnée. • Appuyer sur le bouton DELICATES (articles délicats) 3 fois de suite pour sélectionner "ON". Une fois l'option "ON" sélectionnée, elle est bloquée à cette valeur. • Appuyer une fois sur le bouton PERM. PRESS (pressage permanent) pour passer au code suivant.

Si le compteur de programmes (9 0C) est sélectionné, le calcul du total est le suivant :

1 00	CENTAINES de programmes	1 <u>02</u> = 200
2 00	Programmes UNITAIRES	2 <u>25</u> = 25

NOMBRE TOTAL = 225

Affichage seulement : l'effacement n'est pas possible.

- Appuyer une fois sur le bouton PERM. PRESS (pressage permanent) pour passer au code suivant.

Code	Explication
1. 00	OPTION DE COMPTAGE DE MONNAIE Cette option est soit non sélectionnée ("OFF"), soit sélectionnée ("ON").
1. 00	Non sélectionnée : "OFF".
1. 0C	Sélectionnée : "ON". • Appuyer sur le bouton DELICATES (articles délicats) 3 fois de suite pour sélectionner "ON", puis 3 fois de suite pour retirer l'option (non sélectionnée : "OFF"). Le compteur se remet à zéro en passant de l'option "OFF" à l'option "ON".
1. C0	Sélectionnée : "ON" ; ne peut pas être désélectionnée. • Pour sélectionner "ON" et bloquer l'option sur cette valeur, sélectionner d'abord "ON," et en moins de 2 secondes, appuyer deux fois sur le bouton DELICATES (articles délicats) et une fois sur le bouton WHITES AND COLORS (blanc et couleur), puis quitter le mode de paramétrage. • Appuyer une fois sur le bouton PERM. PRESS (pressage permanent) pour passer au code suivant.
2. 00	OPTIONS DE TARIF SPÉCIAL Cette option est soit non sélectionnée ("OFF"), soit sélectionnée ("ON").
2. 00	Non sélectionnée ("OFF"), et le code suivant sera A.00.
2. SP	Sélectionnée : "ON". • Appuyer une fois sur le bouton DELICATES (articles délicats) pour changer cette sélection.

Si l'option de tarif spécial est sélectionnée, les codes "3.XX" à "9.XX" sont accessibles.

- Appuyer une fois sur le bouton PERM. PRESS (pressage permanent) pour passer au code suivant.

Si le compteur de monnaie (1.0C ou 1.C0) est sélectionné, le calcul du total est le suivant :

3 00	CENTAINES de dollars	3 <u>01</u> = 100,00 \$
4 00	Dollars UNITAIRES	4 <u>68</u> = 68,00 \$
5 00	Nombre de CENTS	5 <u>75</u> = 00,75 \$
		TOTAL = 168,75 \$

INSTRUCTIONS DE RÉGLAGE DU TABLEAU DE COMMANDE ÉLECTRONIQUE (modèles PR/PD)

OPTIONS 3.XX – 9.XX À UTILISER EN CAS DE SÉLECTION DE TARIF SPÉCIAL

Code	Explication
3.06	PRIX DU PROGRAMME SPÉCIAL
3.06	Représente le nombre de pièces de 0,25 \$ (pièce 1) pour mettre en marche la sècheuse ; réglable de 0 à 39 (voir VALEUR DE LA PIÈCE 1 b.05). <ul style="list-style-type: none"> • Avancer de 0 à 39 en appuyant sur le bouton WHITES AND COLORS (blanc et couleur). Valeur par défaut définie en usine sur 6 pièces de 0,25 \$ = 1,50 \$.
3.00	PR MODÈLES : Valeur par défaut définie en usine sur 0 pièce. <ul style="list-style-type: none"> • Appuyer une fois sur le bouton PERM. PRESS (pressage permanent) pour passer au code suivant.
4.05	DURÉE DU SÉCHAGE SPÉCIAL
4.05	MODÈLES PD : Représente le nombre de minutes par pièce de 0,25 \$ (pièce 1). <ul style="list-style-type: none"> • Le réglage par défaut en usine est de 5 minutes par pièce. Par exemple : 6 pièces de 0,25 \$ x 5 minutes = 30 minutes. • En appuyant sur le bouton WHITES AND COLORS (blanc et couleur) régler la valeur entre 1 et 99 minutes. • Appuyer une fois sur le bouton PERM. PRESS (pressage permanent) pour passer au code suivant.
5.00	MINUTES DE L'HORLOGE
5.00	Paramétrage des minutes de l'horloge ; choisir une valeur entre 0 et 59 minutes en appuyant sur le bouton WHITES AND COLORS (blanc et couleur). <ul style="list-style-type: none"> • Appuyer une fois sur le bouton PERM. PRESS (pressage permanent) pour passer au code suivant. <p>REMARQUE : L'HORLOGE À FONCTION HORAIRE sera dérégulée après une coupure de courant, que le cordon ait été débranché ou que l'interruption se soit produite au niveau du réseau électrique. Pour que l'heure correcte reste affichée sur le tableau de commande, il faut utiliser une pile de secours.</p>
6.00	HEURES DE L'HORLOGE
	REMARQUE : Utilise le format sur 24 heures.
6.00	Paramétrage des heures de l'horloge ; choisir une valeur entre 0 et 23 heures en appuyant sur le bouton WHITES AND COLORS (blanc et couleur). <ul style="list-style-type: none"> • Appuyer une fois sur le bouton PERM. PRESS (pressage permanent) pour passer au code suivant. <p>REMARQUE : L'HORLOGE À FONCTION HORAIRE sera dérégulée après une coupure de courant, que le cordon ait été débranché ou que l'interruption se soit produite au niveau du réseau électrique. Pour que l'heure correcte reste affichée sur le tableau de commande, il faut utiliser une pile de secours.</p>
7.00	HEURE DE DÉBUT DU TARIF SPÉCIAL
	REMARQUE : Utilise le format sur 24 heures.
7.00	Représente l'heure de début, entre 0 et 23 heures. <ul style="list-style-type: none"> • Sélectionner l'heure de début en appuyant sur le bouton WHITES AND COLORS (blanc et couleur). • Appuyer une fois sur le bouton PERM. PRESS (pressage permanent) pour passer au code suivant.

Code	Explication
8.00	HEURE DE FIN DU TARIF SPÉCIAL
	REMARQUE : Utilise le format sur 24 heures.
8.00	Représente l'heure de fin, entre 0 et 23 heures. <ul style="list-style-type: none"> • Sélectionner l'heure de fin en appuyant sur le bouton WHITES AND COLORS (blanc et couleur). • Appuyer une fois sur le bouton PERM. PRESS (pressage permanent) pour passer au code suivant.
9.10	JOUR À TARIF SPÉCIAL
9.10	Représente le jour de la semaine et indique si un tarif spécial est sélectionné pour ce jour. Un nombre suivi de "0" indique l'absence de sélection pour ce jour particulier (9.10). Un nombre suivi de "S" indique une sélection pour ce jour particulier (9.1S). Les jours de la semaine (1–7) sont sélectionnés en appuyant sur le bouton WHITES AND COLORS (blanc et couleur). Appuyer une fois sur le bouton DELICATES (articles délicats) pour sélectionner le prix spécial pour chaque jour choisi. <p>En quittant le code de paramétrage "9," l'affichage doit indiquer le jour actuel de la semaine :</p>

AFFICHAGE	JOUR DE LA SEMAINE	CODE (sélectionné)
10	Jour 1 = Dimanche	1S
20	Jour 2 = Lundi	2S
30	Jour 3 = Mardi	3S
40	Jour 4 = Mercredi	4S
50	Jour 5 = Jeudi	5S
60	Jour 6 = Vendredi	6S
70	Jour 7 = Samedi	7S

	• Appuyer une fois sur le bouton PERM. PRESS (pressage permanent) pour passer au code suivant.
A.00	OPTION D'AFFICHAGE DU COFFRE
	Cette option est soit non sélectionnée ("OFF"), soit sélectionnée ("ON").
A.00	Non sélectionnée : "OFF".
A.SC	Sélectionnée : "ON". <ul style="list-style-type: none"> • Appuyer une fois sur le bouton DELICATES (articles délicats) pour changer cette sélection. Lorsque cette option est sélectionnée, le compteur de monnaie et/ou de programmes peut être affiché (si les options de compteur correspondantes sont sélectionnées) lorsque la boîte à monnaie est retirée. • Appuyer une fois sur le bouton PERM. PRESS (pressage permanent) pour passer au code suivant.

INSTRUCTIONS DE RÉGLAGE DU TABLEAU DE COMMANDE ÉLECTRONIQUE (modèles PR/PD)

Code	Explication
b. 05	VALEUR DE LA PIÈCE 1
b. 05	Représente la valeur de la pièce 1 en nombre de pièces de 0,05 \$: 05 = 0,25 \$. <ul style="list-style-type: none"> En appuyant sur le bouton WHITES AND COLORS (blanc et couleur), sélectionner entre 1 et 199 pièces de 0,05 \$. Appuyer une fois sur le bouton PERM. PRESS (pressage permanent) pour passer au code suivant.
C. 20	VALEUR DE LA PIÈCE 2/VALEUR DE L'APPOINT DE LA SÈCHEUSE
C. 20	Représente la valeur de la pièce 2 en nombre de pièces de 0,05 : 20 = \$1.00 MODÈLES PR : Valeur par défaut définie en usine sur 0,25 \$. Pour le modèle utilisant le mode débit amélioré, ce champ représente la valeur de l'appoint en pièces de 0,05 \$. <ul style="list-style-type: none"> En appuyant sur le bouton WHITES AND COLORS (blanc et couleur), sélectionner entre 1 et 199 pièces de 0,05 \$. Appuyer une fois sur le bouton PERM. PRESS (pressage permanent) pour passer au code suivant.
d. 00	OPTION GLISSIÈRE À PIÈCES Cette option est soit non sélectionnée ("OFF"), soit sélectionnée ("ON").
d. 00	Non sélectionnée : "OFF".
d. CS	Sélectionnée : "ON". <ul style="list-style-type: none"> Appuyer trois fois de suite sur le bouton DELICATES (articles délicats) pour cette sélection. Une fois le mode glissière à pièces sélectionné, paramétrer "b." sur la valeur d'une descente en pièces de 5 cents. Réglez les codes "606" (REGULAR CYCLE PRICE, prix du programme normal) et "3.06" (SPECIAL CYCLE PRICE, prix du programme spécial) sur le nombre de descente de pièces. REMARQUE : Si l'installateur règle "CS" sur un modèle de chute de pièces, les pièces ne sont pas enregistrées. <ul style="list-style-type: none"> Appuyer une fois sur le bouton PERM. PRESS (pressage permanent) pour passer au code suivant.
E. 00	OPTIONS NOMBRE DE PIÈCES Cette option est soit non sélectionnée ("OFF"), soit sélectionnée ("ON"). Avec cette option, l'affichage client indique le nombre de pièces (pièce 1) à insérer plutôt que le montant en dollars et cents. Le nombre affiché change à mesure que les pièces sont insérées.
E. 00	Non sélectionnée : "OFF".
E. AC	Sélectionnée : "ON". <ul style="list-style-type: none"> Appuyer sur le bouton DELICATES (articles délicats) 3 fois de suite pour changer cette sélection. MODÈLES PR UNIQUEMENT : dans le mode Débit amélioré, cette option n'est pas accessible. <ul style="list-style-type: none"> Appuyer une fois sur le bouton PERM. PRESS (pressage permanent) pour passer au code suivant.

Code	Explication
J. Cd	MODE DE PAIEMENT (OPTION DE PIÈCES/DÉBIT)
J. Cd	Modes pièces et carte de débit sélectionnés. Appuyer sur le bouton DELICATES (articles délicats) 3 fois de suite pour changer cette sélection.
J. C_	Mode pièces sélectionné, mode carte de débit désactivé. Appuyer sur le bouton DELICATES (articles délicats) 3 fois de suite pour changer cette sélection.
J. _d	Mode carte de débit sélectionné, mode pièces désactivé. Appuyer sur le bouton DELICATES (articles délicats) 3 fois de suite pour changer cette sélection.
J. Ed	L'option débit amélioré est automatiquement sélectionnée lorsqu'un lecteur de cartes de 2e génération est installé dans la sècheuse. L'option Ed ne peut pas être sélectionnée ou désactivée manuellement. <ul style="list-style-type: none"> Appuyer une fois sur le bouton PERM. PRESS (pressage permanent) pour passer au code suivant.
L. 00	OPTION DE SUPPRESSION DU PRIX Cette option est soit non sélectionnée ("OFF"), soit sélectionnée ("ON"). Cette option indique sur l'afficheur client "ADD" (introduire) ou "AVAILABLE" (disponible) au lieu du montant à ajouter (utilisé principalement avec les installations à carte de débit).
L. 00	Non sélectionnée : "OFF".
L. PS	Suppression de prix sélectionnée : "ON". <ul style="list-style-type: none"> Appuyer une fois sur le bouton DELICATES (articles délicats) pour changer cette sélection. Appuyer une fois sur le bouton PERM. PRESS (pressage permanent) pour passer au code suivant.
n. CE	OPTION D'ANNULATION D'AVOIR Cette option est soit non sélectionnée ("OFF"), soit sélectionnée ("ON"). Lorsque cette option est sélectionnée, l'argent mémorisé en avoir pendant 30 minutes sans ajout supplémentaire ou activités de programme est effacé.
n. 00	Non sélectionnée : "OFF".
n. CE	Sélectionnée : "ON". <ul style="list-style-type: none"> Appuyer une fois sur le bouton DELICATES (articles délicats) pour changer cette sélection. Appuyer une fois sur le bouton PERM. PRESS (pressage permanent) pour passer au code suivant.
U.00	COMPENSATION PAR INCRÉMENTS EN CENTIÈMES
U.00	Représente la compensation du prix par incréments en centièmes utilisée dans les modèles PR de 2e génération (débit amélioré). Choisir entre 0 et 4 centièmes en appuyant sur le bouton WHITES AND COLORS (blanc et couleur). <ul style="list-style-type: none"> Appuyer une fois sur le bouton PERM. PRESS (pressage permanent) pour passer au code suivant.

INSTRUCTIONS DE RÉGLAGE DU TABLEAU DE COMMANDE ÉLECTRONIQUE (modèles PR/PD)

FIN des OPÉRATIONS DE PARAMÉTRAGE

QUITTER LE MODE DE PARAMÉTRAGE

Modèles PD à une seule charge : réinstaller la porte d'accès.

Modèles PR à une seule charge :

- Débrancher la sècheuse ou déconnecter la source de courant électrique.
- Ouvrir la console, réinsérer la fiche dans le connecteur AA1, fermer la console.
- Brancher la sècheuse ou reconnecter la source de courant électrique.

GUIDE DE DIAGNOSTIC

Si le mode de paramétrage est saisi et si l'une des situations suivantes s'est produite, le code de diagnostic correspondant est affiché.

SÈCHEUSES UNIQUES

CODE	EXPLICATION
d1	Erreur du circuit de détection du moteur de la sècheuse sur la carte de commande ou en raison d'une interférence de la ligne d'alimentation (programmes et affichage du prix désactivés jusqu'à la réinitialisation manuelle du code de diagnostic).
d4	Erreur du circuit de commande du moteur de la sècheuse (programmes et affichage client désactivés jusqu'à la réinitialisation manuelle du code de diagnostic).
d5	Pièce 1 bloquée ou défaillance du circuit de commande de chute de pièce (reconnaissance des pièces et affichage client désactivés tant que le blocage persiste).
d9	Tension détectée inférieure à 90 VCA pendant 8 secondes.
d12	Erreur du circuit de détection du moteur sur la carte de commande ou en raison d'une interférence de la ligne d'alimentation (programmes et affichage client désactivés jusqu'à la réinitialisation manuelle du code de diagnostic).
d13	Pièce 2 bloquée ou défaillance du circuit de commande de chute de pièce (reconnaissance des pièces et affichage du prix désactivés tant que le blocage persiste).
d16	Aucune réception de communications du lecteur de cartes de débit installé en mode Débit amélioré (génération 2).

NOTES

W10474273A
W10474274A – SP

®/TM © 2012 Maytag. All rights reserved. Used under license in Canada.
®/TM © 2012 Maytag. Tous droits réservés. Emploi sous licence au Canada.

12/2012
Printed in U.S.A.
Imprimé aux États-Unis